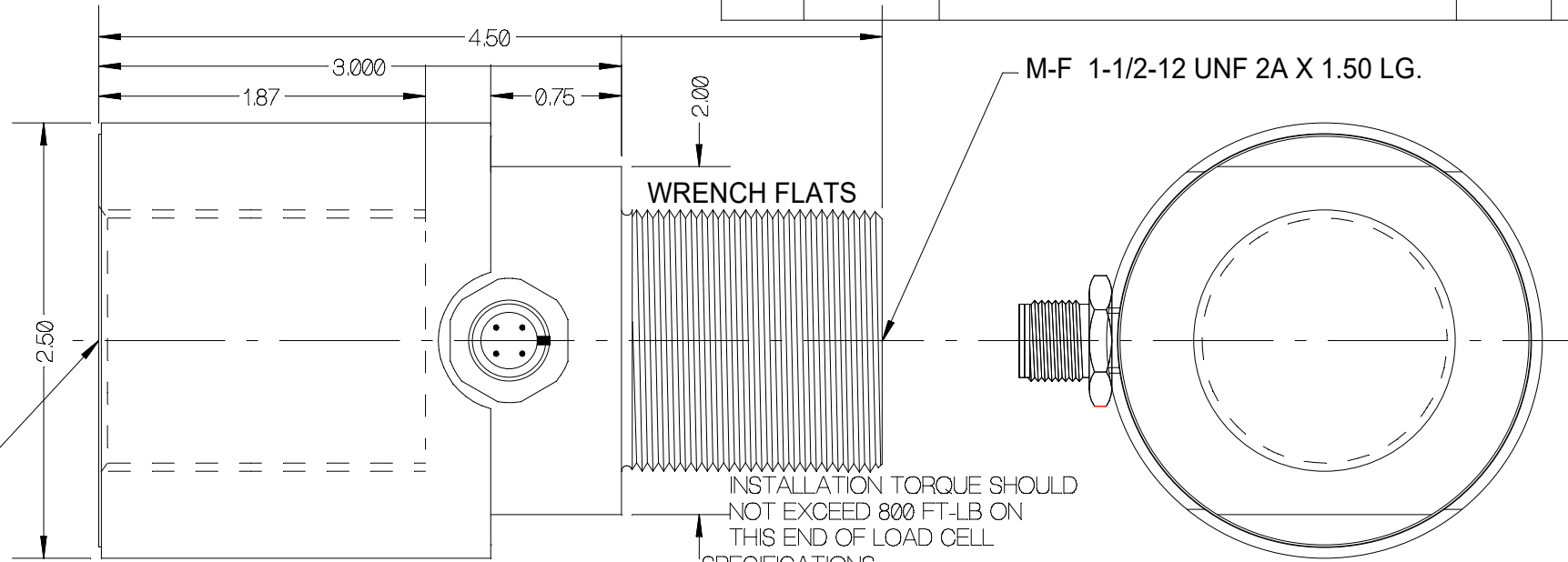


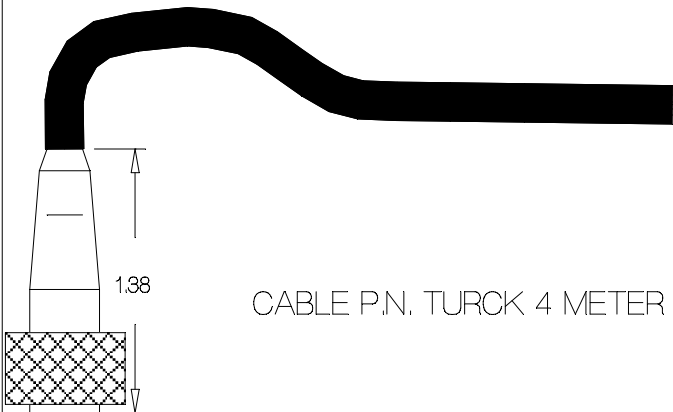
REV	DATE	DESCRIPTION	ECO	SIGN
1	3/18/21	RELEASE TO PILOT		BKM



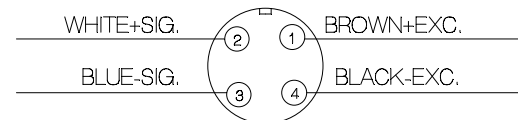
1-1/2-12 UNF 2B X 1-7/8 LG.  
 TOOL TORQUE SHOULD NOT EXCEED 800 FT-LB ON THIS END OF LOAD CELL

INSTALLATION TORQUE SHOULD NOT EXCEED 800 FT-LB ON THIS END OF LOAD CELL  
 SPECIFICATIONS:


RATED CAPACITY	30,000 POUNDS
RATED OUTPUT	2 mV/V typical
COMBINED ERROR	0.25 %
NON-REPEATABILITY	0.05 %
ZERO BALANCE	± 1 %
TEMPERATURE RANGE, COMPENSATED	+14 TO 104° F
TEMPERATURE EFFECT, OUTPUT	0.014 % / ° F
TEMPERATURE EFFECT, ZERO BALANCE	0.05 % / ° F
INPUT / OUTPUT IMPEDANCE	700 OHMS, typical
EXCITATION VOLTAGE (typical)	10 VDC or VAC rms
EXCITATION VOLTAGE, MAXIMUM	15 VDC or VAC rms
INSULATION RESISTANCE	5,000 MEG OHMS @ 50 VDC
MAXIMUM LOAD, SAFE	150 % F.S.
MAXIMUM LOAD, ULTIMATE	300 % F.S.



(RECEPTACLE FRONT SIDE)



TURCK

TOLERANCES UNLESS OTHERWISE SPECIFIED: .XXX = ± 0.005 .XX = ± 0.015 .X = ± 0.025 FINISH: FINE BRUSHED FINISH, O.D. NO MARKS MAT'L: ALLOY STEEL / STAINLESS STEEL	 TOLEDO TRANSDUCERS, INC.	Designed By: <b>Mettert</b>	Date: <b>3/18/21</b>	Title / Description: <b>ROD END LOAD CELL SPECIFICATIONS</b>		Part No. <b>SS1815-30K</b>
		Drawn By:	Date:			File Name <b>18350</b>
		Approved By:	Date:	Dwg. Size: <b>A</b>	Dwg. Type: <b>SPEC</b>	Page 1 of 1