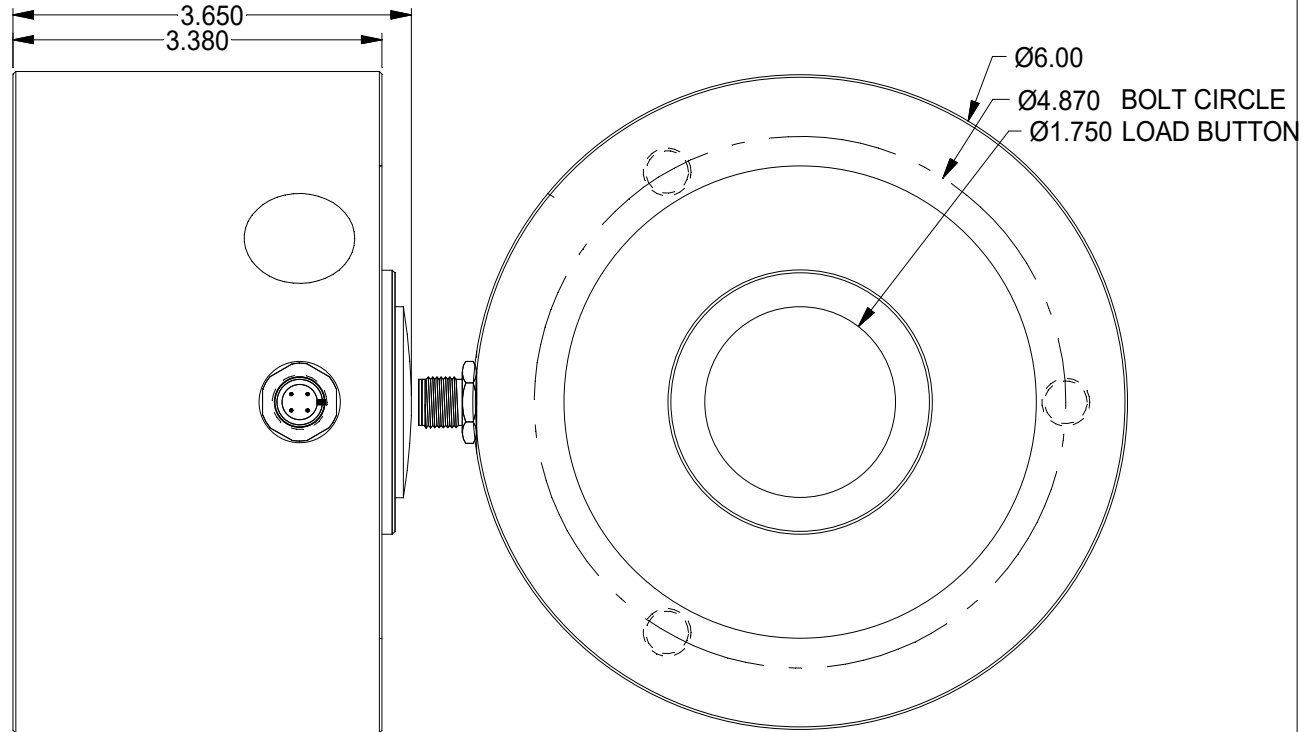


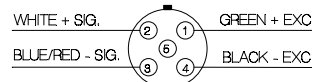
**SPECIFICATIONS:**

Rated Capacity, (COMPRESSION)	100,000 pounds
Rated Output, typical	2 mV/V
Combined error	0.05 % F.S.
Non-repeatability	0.01 % F.S.
Zero Balance	1 % R.O.
Temperature Range, Compensated	50 F to 120 F
Temperature Effect, Output	0.0008 % of load / F
Temperature Effects, Zero Balance	0.002 % / R.O. / F
Bridge Impedance, Typical	700 ohms
Excitation Voltage, Typical	10 VDC or VAC rms
Excitation Voltage, Maximum	15 VDC or VAC rms
Insulation Resistance	> 5,000 megohms at 50 VDC
Overload, Safe	200 % over capacity
Overload, Ultimate	300 % over capacity
Deflection at Rated Capacity, Approximate	0.003 inch
Construction	Tool Steel



FEMALE RECEPTACLE OR FEMALE PLUG

(FRONT RECEPTACLE SIDE)



WIRE COLOR CODE:	T.T.J. STD.	PIN NO.	
+EXCITATION	BROWN	GREEN	1
+SIGNAL	WHITE	WHITE	2
-SIG	BLUE	RED	3
-EXCITATION	BLACK	BLACK	4
OPEN			5

TOLERANCES UNLESS OTHERWISE SPECIFIED:  
 XXX = ± 0.005  
 XX = ± 0.015  
 X = ± 0.025  
 SCALE: FULL  
 FINISH: 32 MICRO INCH OR AS NOTED  
 MAT'L: A2 TOOL STEEL  
 HARDNESS: Rc 40-46



Designed By:	Mettler	Date:	2/2/19
Drawn By:		Date:	
Approved By:		Date:	

Title / Description:	SS1772-100KLB-IEC BUTTON LOAD CELL SPECIFICATIONS
Dwg. Size:	B
Dwg. Type:	SPEC

Part No.	SS1772-100KLB-IEC
File Name	18028
Doc. No.	18028