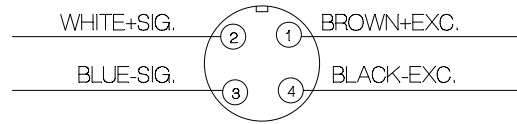




TURCK FEMALE CORDSET RK 4.5T-4/S618, ORDER NO. (4245-222)

WIRE COLOR CODE:		PIN NO.
+EXCITATION	BROWN	1
+SIGNAL	WHITE	2
-SIGNAL	BLUE	3
-EXCITATION	BLACK	4

TURCK
MALE RECEPTACLE WIRING DIAGRAM
(RECEPTACLE FRONT SIDE)

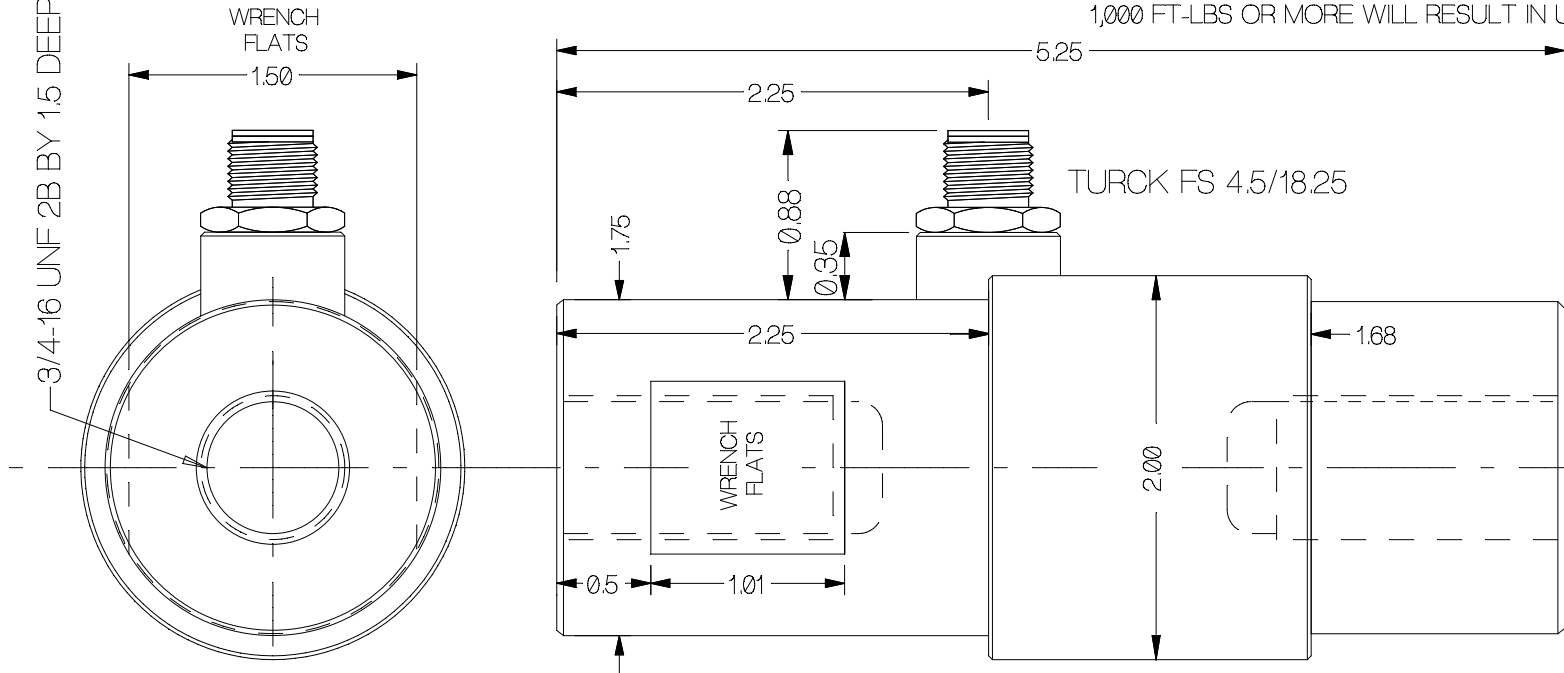


REV	DATE	DESCRIPTION	ECO	SIGN
1	9/11/13	RELEASE TP PILOT		BKM

SPECIFICATIONS:

RATED CAPACITY, COMPRESSION AND OR TENSION	40,000 POUNDS
RATED OUTPUT	2mV/V
COMBINED ERROR	±0.25% OF F.S.
NON-REPEATABILITY	0.05%
ZERO BALANCE	±1%
TEMPERATURE RANGE, COMPENSATED	14° to 104°F
TEMPERATURE EFFECT, OUTPUT	0.018%/°F
TEMPERATURE EFFECT, ZERO BALANCE	0.005%/°F
INPUT IMPEDANCE, (typical)	350 OHMS
EXCITATION VOLTAGE (typical)	10VDC or VAC rms
EXCITATION VOLTAGE, MAXIMUM	15VDC or VAC rms
INSULATION RESISTANCE	5,000 MEG.OHMS @ 50 VDC
MAXIMUM LOAD, SAFE	150% F.S.
MAXIMUM LOAD, ULTIMATE	200% F.S.
NORMAL INSTALLATION TORQUE:	500 FT-LBS
	1,000 FT-LBS OR MORE WILL RESULT IN UNREPAIRABLE DAMAGE

3/4-16 UNF 2B BY 1.5 DEEP. BOTH ENDS.



TOLERANCES UNLESS OTHERWISE SPECIFIED:

XXX=0.005
XX=0.015
X=0.025

SCALE: FULL

FINISH: BRUSHED STAINLESS COVER
LOAD CELL MAT'L: ALLOY STEEL



TOLEDO
TRANSDUCERS,
INC.

Designed By: Mettert

Date: 9/11/13

Drawn By:

Date:

Approved By:

Date:

Title / Description:
SS1670 40,000 POUND
UNIVERSAL LOAD CELL

Dwg Size: A
Dwg. Type: SPEC

Page 1 of 1

Part No. SS1670-40K

File Name 17354

Doc. No. 17354