

REV	DATE	DESCRIPTION	ECO	SIGN
1	1/7/13	RELEASE TO PILOT		BKM

SPECIFICATIONS:

RATED CAPACITY, EACH, (CALIBRATION 6.6KLB PAIR)	3.3 KLB
RATED OUTPUT	2 mV/V typical
COMBINED ERROR	T.B.D. CURVE PROVIDED
NON-REPEATABILITY	0.01 %
ZERO BALANCE	± 10 %
TEMPERATURE RANGE, COMPENSATED	+60 TO 160° F
TEMPERATURE EFFECT, OUTPUT	0.001 % of Load / ° F
TEMPERATURE EFFECT, ZERO BALANCE	Not rated
INPUT IMPEDANCE, OUTPUT IMPEDANCE	350 OHMS, typical
EXCITATION VOLTAGE (typical)	10 VDC or VAC rms
EXCITATION VOLTAGE, MAXIMUM	15 VDC or VAC rms
INSULATION RESISTANCE	5,000 MEG OHMS @ 50 VDC
MAXIMUM LOAD, SAFE	150 % F.S.
MAXIMUM LOAD, ULTIMATE	200 % F.S.
DEFLECTION AT RATED CAPACITY, APPROXIMATE	0.0004 in.
CONSTRUCTION	ALLOY STEEL

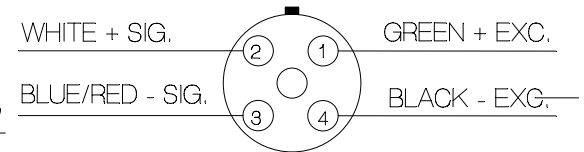
4m LONG TURCK FEMALE CORDSET RK 4.5T-4/S618, ORDER NO. (4245-222)
CUT CABLE TO DESIRED LENGTH



DISCONNECT CABLE WIRE COLOR CODE: PIN NO.

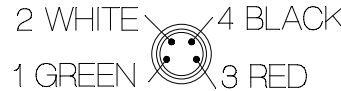
+EXCITATION	BROWN	1
+SIGNAL	WHITE	2
- SIG	BLUE	3
- EXCITATION	BLACK	4
SHIELD DRAIN	GROUND	

(FRONT RECEPTACLE SIDE)

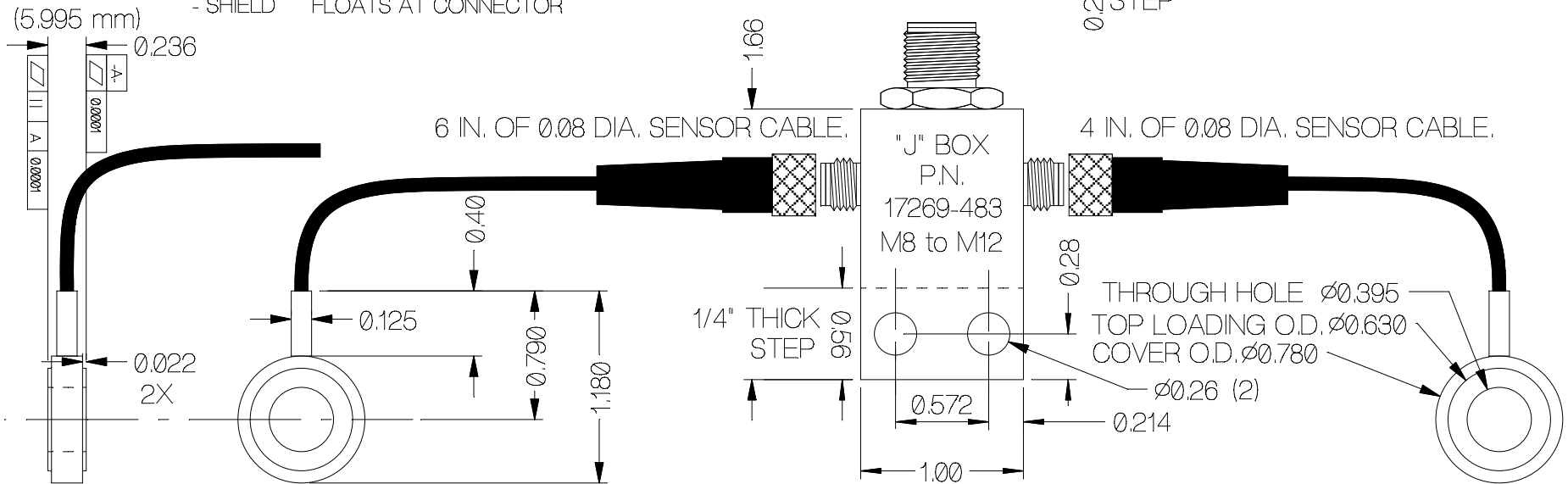


LOAD CELL WIRE COLOR CODE:

+ EXCITATION	GREEN
- EXCITATION	BLACK
+ SIGNAL	WHITE
- SIGNAL	RED
- SHIELD	FLOATS AT CONNECTOR



FRONT



TOLERANCES UNLESS OTHERWISE SPECIFIED:	
.XXX = ± 0.005	SCALE: 2X
.XX = ± 0.015	
.X = ± 0.025	
FINISH: AS INDICATED	
MAT'L: ALLOY STEEL ELEMENT, S.S. COVER	
HARDNESS: Rc 40-44	

TOLEDO
TRANSDUCERS,
INC.

Designed By:	Mettert
Drawn By:	
Approved By:	

Date:	1/7/13
Date:	
Date:	

Title / Description:	
SS1653-3.3KLB DOUGHNUT LOAD CELL SPECIFICATIONS	
Dwg. Size:	A
Dwg. Type:	SPEC
Page 1 of 1	

Part No.	SS1653-3.3KLB
File Name	17254
Doc. No.	17254