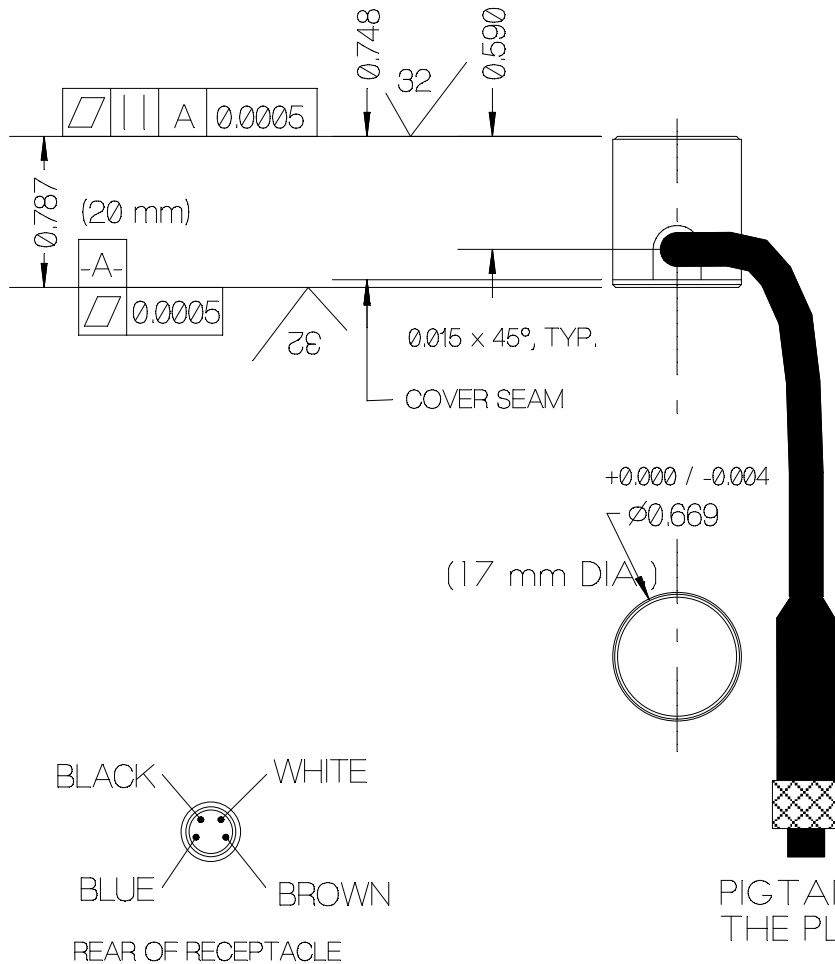


REV	DATE	DESCRIPTION	ECO	SIGN
1	7/20/2012	PILOT		BKM
2	7/31/2012	LOAD CELL PIGTAIL WAS 12 INCHES LONG		BKM



SPECIFICATIONS:

RATED CAPACITY	52.5kN
RATED OUTPUT, matched	2.100 ± 0.01 mV/V
COMBINED ERROR	± 0.5 %
NON-REPEATABILITY	< 0.05 %
ZERO BALANCE	(0.000 to 0.050 mV/V) 0/+ 3 %
TEMPERATURE RANGE, COMPENSATED	+60 TO 160° F
TEMPERATURE EFFECT, OUTPUT	0.015 % of Load / ° F
TEMPERATURE EFFECT, ZERO BALANCE	Not rated
INPUT IMPEDANCE	1,000 OHMS, typical
OUTPUT IMPEDANCE	1,000 OHMS, typical
EXCITATION VOLTAGE (typical)	10 VDC or VAC rms
EXCITATION VOLTAGE, MAXIMUM	15 VDC or VAC rms
INSULATION RESISTANCE	5,000 MEG OHMS @ 50 VDC
MAXIMUM LOAD, SAFE	150 % F.S.
MAXIMUM LOAD, ULTIMATE	300 % F.S.
DEFLECTION AT RATED CAPACITY, APPROXIMATE	0.002 in.
FREQUENCY RESPONSE	64KHz
CONSTRUCTION	ALLOY STEEL
COVER	STAINLESS STEEL

PIGTAIL CABLE EXTENDS 24 INCHES FROM LOAD CELL,
THE PLUG IS NOT INCLUDED IN MEASUREMENT.

WIRE COLOR CODE:	PIN NO.
+EXCITATION BROWN	1
-SIGNAL WHITE	2
-EXCITATION BLUE	3
+ SIGNAL BLACK	4



TURCK PKGM-4/S90/S618, ORDER NO. (4247-222)

TOLERANCES UNLESS OTHERWISE SPECIFIED:

XXX = +0.000 / - 0.002
XX = ± 0.015
X = ± 0.025

SCALE: FULL

FINISH: AS NOTED

MAT'L: ALLOY TOOL STEEL

HARDNESS: Rc 40-46



Designed By: METTERT

Date: 7/20/2012

Drawn By:

Date:

Approved By:

Date:

Title / Description:

SS1641-52.5kN mV/V
COMPRESSION LOAD CELL
SPECIFICATION

Dwg Size: A
Dwg. Type: SPEC

Page 1 of 1

Part No.

SS1641-52.5kN

File Name

17176

Doc. No.

17176