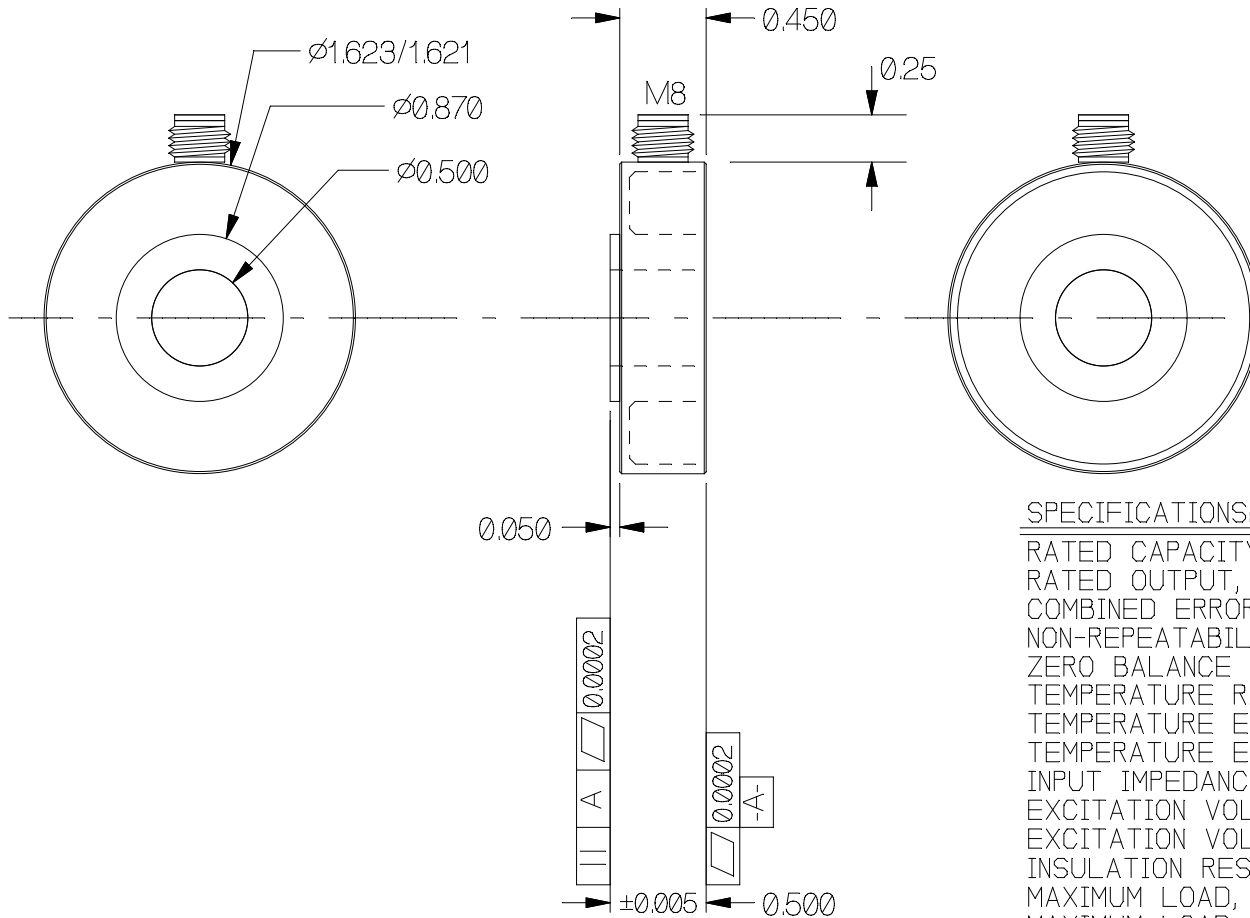


REV	DATE	DESCRIPTION	ECO	SIGN
1	6/15/12	PROPOSAL		BKM

(OPTIONAL CABLE AT ADDITIONAL PRICE)

TURK (PKG 4M-4/S90/S618) CABLE MOULDED CORDSET (OPTIONAL, T.T.I. P.N. 4247 -222)



WIRE COLOR CODE:		PIN NO.
+EXCITATION	BROWN	1
+SIGNAL	WHITE	2
- SIG	BLUE	3
- EXCITATION	BLACK	4
SHIELD	OPEN TO ELEMENT	

SPECIFICATIONS:

RATED CAPACITY	250 POUNDS
RATED OUTPUT, MATCHED	2 mV/V typical
COMBINED ERROR	<=1 %
NON-REPEATABILITY	0.05 %
ZERO BALANCE	± 1 %
TEMPERATURE RANGE, COMPENSATED	+14 TO 104° F
TEMPERATURE EFFECT, OUTPUT	0.014 % / ° F
TEMPERATURE EFFECT, ZERO BALANCE	0.05 % / ° F
INPUT IMPEDANCE	350 OHMS, typical
EXCITATION VOLTAGE (typical)	10 VDC or VAC rms
EXCITATION VOLTAGE, MAXIMUM	15 VDC or VAC rms
INSULATION RESISTANCE	5,000 MEG OHMS @ 50 VDC
MAXIMUM LOAD, SAFE	150 % F.S.
MAXIMUM LOAD, ULTIMATE	300 % F.S.

TOLERANCES UNLESS OTHERWISE SPECIFIED:

XXX = ± 0.005

XX = ± 0.015

X = ± 0.025

SCALE: FULL

FINISH: NO MACHINE MARKS

MAT'L: STAINLESS STEEL

HARDNESS: Rc 50-55



TOLEDO
TRANSDUCERS,
INC.

Designed By: Mettert

Date: 6/15/12

Drawn By:

Date:

Approved By:

Date:

Title / Description:

SS1628-250 LB DOUGHNT
LOAD CELL SPECS.

Dwg.Size:

Dwg. Type:

Page 1 of 1

Part No.

SS1628-250LB

File Name

17162

Doc. No.

17162