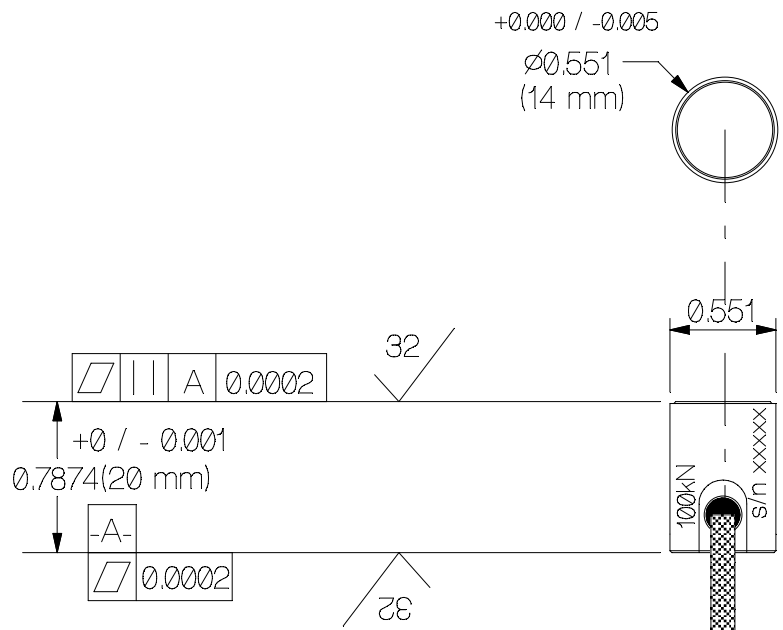


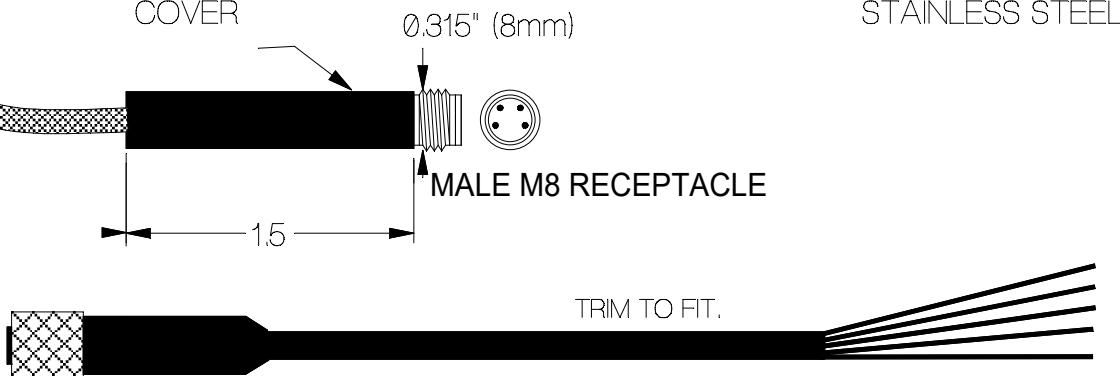
REV	DATE	DESCRIPTION	ECO	SIGN
1	10/20/2020	RELEASE TO PILOT		BKM



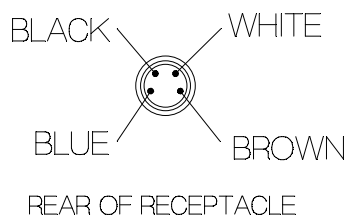
SPECIFICATIONS:

RATED CAPACITY	100kN
RATED OUTPUT, matched	2.20 ± 0.02 mV/V
COMBINED ERROR	± 0.5 %
NON-REPEATABILITY	< 0.05 %
ZERO BALANCE	(0.000 to 0.050 mV/V) 0/+ 3 %
TEMPERATURE RANGE, COMPENSATED	+60 TO 160° F
TEMPERATURE EFFECT, OUTPUT	0.015 % of Load / ° F
TEMPERATURE EFFECT, ZERO BALANCE	Not rated
INPUT IMPEDANCE	1,000-1,200 OHMS, typical
OUTPUT IMPEDANCE	1,000 OHMS, typical
EXCITATION VOLTAGE (typical)	10 VDC or VAC rms
EXCITATION VOLTAGE, MAXIMUM	15 VDC or VAC rms
INSULATION RESISTANCE	5,000 MEG OHMS @ 50 VDC
MAXIMUM LOAD, DO NOT OVERLOAD	100kN

DEFLECTION AT RATED CAPACITY, APPROXIMATE 0.001 in.  
 CONSTRUCTION FRONT CARBIDE  
 COVER STAINLESS STEEL



TURCK PKGM-4/S90/S618, ORDER NO. (4247-222)



WIRE COLOR CODE:	PIN NO.
+EXCITATION BROWN	1
-SIGNAL WHITE	2
-EXCITATION BLUE	3
+ SIGNAL BLACK	4

TOLERANCES UNLESS OTHERWISE SPECIFIED:  
 XXX = ± 0.005  
 XX = ± 0.015  
 X = ± 0.025  
 FINISH: AS NOTED  
 MAT'L: CARBIDE  
 HARDNESS: FULL HARD



Designed By: METTERT  
 Date: 10/20/2020  
 Drawn By:  
 Date:  
 Approved By:  
 Date:

Title / Description:  
 SS1578TC100kN  
 COMPRESSION LOAD CELL  
 SPECIFICATIONS  
 Dwg Size: A  
 Dwg. Type: SPEC  
 Page 1 of 1

Part No. SS1578TC100kN  
 File Name 18271  
 Doc. No. 18271