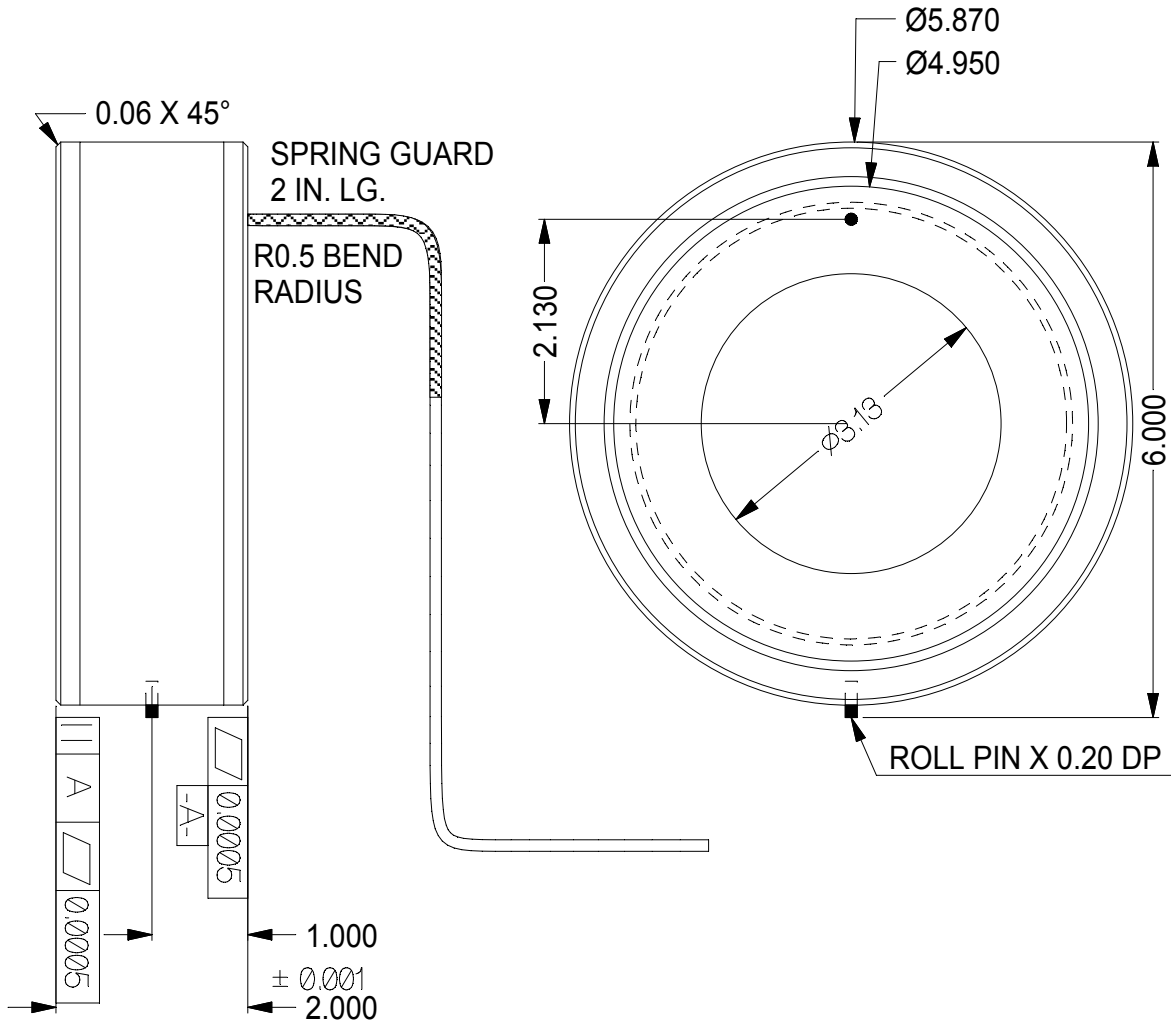


REV	DATE	DESCRIPTION	ECO	SIGN
1	7/01/09	RELEASE TO PILOT		BKM



**SPECIFICATIONS:**

Rated Capacity	50,000 pounds
Rated Output, typical	3 mV/V
Combined error	0.5 % F.S.
Non-repeatability	0.1 % F.S.
Zero Balance	1 % R.O.
Temperature Range, Compensated	50 F to 160 F
Temperature Effect, Output	0.0008 % of load / ° F
Temperature Effects, Zero Balance	0.005 % / R.O. / ° F
Bridge Impedance, Typical	700 ohms
Excitation Voltage, Typical	10 VDC or VAC rms
Excitation Voltage, Maximum	15 VDC or VAC rms
Insulation Resistance	> 5,000 megohms at 50 VDC
Overload, Safe	150 % over capacity
Overload, Ultimate	200 % over capacity
Deflection at Rated Capacity, Approximate	0.002 inch
Construction	Alloy Steel

**Cable color code:**

Green	+ Excitation
Black	- Excitation
White	+ Signal
Red	- Signal
Shield	FLOATS AT CELL

0.12" DIA., 30 AWG SHIELDED TEFLON SENSOR CABLE 12 FT. LG.

NOTE: LOAD CELL WILL BE CALIBRATED AT 10,000 POUND INTERVALS ASCENDING.

TOLERANCES UNLESS OTHERWISE SPECIFIED:	
0.XXX = ± 0.005	SCALE: FULL
0.XX = ± 0.015	
0.X = ± 0.025	
FINISH: 32 MICRO INCH OR LESS	
MAT'L: A2	
HARDNESS: Rc 40-46	



Designed By: Mettert	Date: 7/1/09
Drawn By:	Date:
Approved By:	Date:

Title / Description:	
SS1573-50KLb POUND, 32-005	
DOUGHNUT LOAD CELL	
SPECIFICATIONS	
Dwg. Size: A	Dwg. Type: SPEC
Page 1 of 1	

Part No. SS1573-50KLB, 32-005
File Name: 16663
Doc. No. 16663