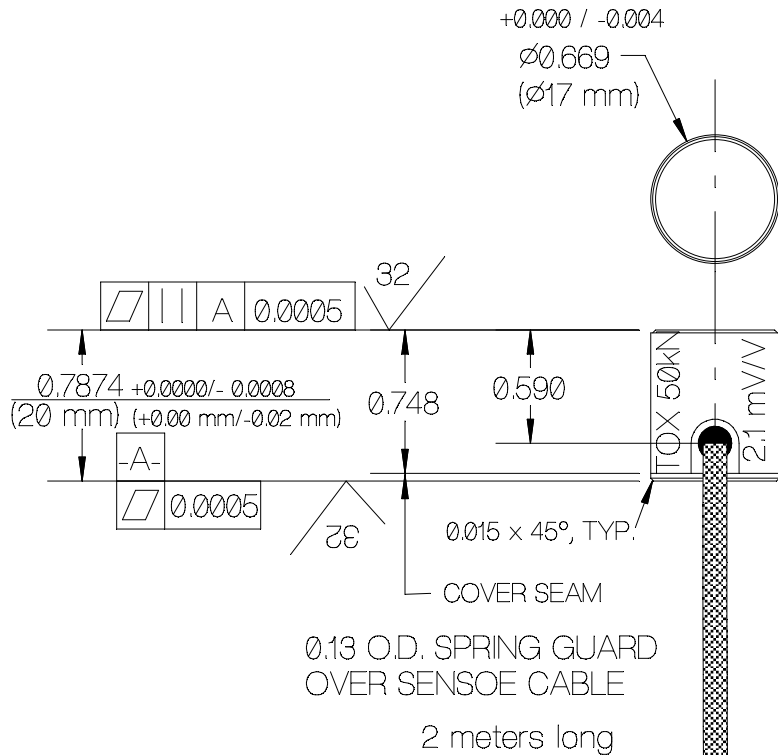
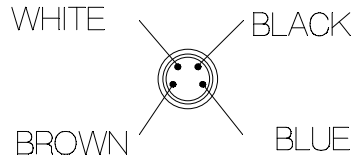


| REV | DATE | DESCRIPTION | ECO | SIGN |
|-----|------------|---------------------------|-----|------|
| 1 | 7/20/2000 | PILOT | | BKM |
| 2 | 11/13/2020 | OUTPUT WAS 2.00 ±0.1 mV/V | | BKM |



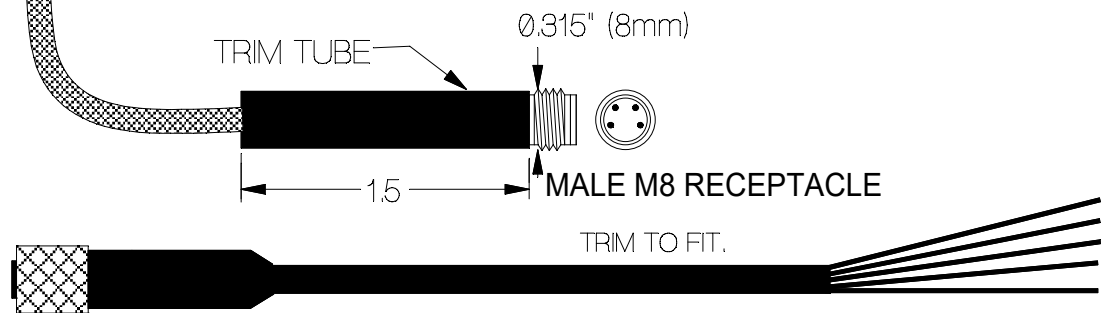
SPECIFICATIONS:

| | |
|---|-------------------------------|
| RATED CAPACITY | 55kN |
| RATED OUTPUT, matched | ② 2.10 ± 0.01 mV/V |
| COMBINED ERROR | ± 0.25 % |
| NON-REPEATABILITY | < 0.05 % |
| ZERO BALANCE | (0.000 to 0.050 mV/V) 0/+ 3 % |
| TEMPERATURE RANGE, COMPENSATED | +60 TO 160° F |
| TEMPERATURE EFFECT, OUTPUT | 0.015 % of Load / ° F |
| TEMPERATURE EFFECT, ZERO BALANCE | Not rated |
| INPUT IMPEDANCE | ② 1,150 OHMS, ± 50 OHMS |
| OUTPUT IMPEDANCE | 1,000 OHMS, typical |
| EXCITATION VOLTAGE (typical) | 10 VDC or VAC rms |
| EXCITATION VOLTAGE, MAXIMUM | 15 VDC or VAC rms |
| INSULATION RESISTANCE | 5,000 MEG OHMS @ 50 VDC |
| MAXIMUM LOAD, SAFE | 150 % F.S. |
| MAXIMUM LOAD, ULTIMATE | 300 % F.S. |
| DEFLECTION AT RATED CAPACITY, APPROXIMATE | 0.002 in. |
| CONSTRUCTION | ALLOY STEEL |
| COVER | STAINLESS STEEL |



FRONT OF RECEPTACLE

| WIRE COLOR CODE: | PIN NO. |
|-------------------|---------|
| +EXCITATION BROWN | 1 |
| -SIGNAL WHITE | 2 |
| -EXCITATION BLUE | 3 |
| + SIGNAL BLACK | 4 |



TURCK PKGM-4/S90/S618 BY CUSTOMER

TOX P.N. ZLC0055KNKURTZ

| | |
|--|-------------|
| TOLERANCES UNLESS OTHERWISE SPECIFIED: | |
| XXX = ± 0.005 | SCALE: FULL |
| XX = ± 0.015 | |
| X = ± 0.025 | |
| FINISH: AS NOTED | |
| MAT'L: ALLOY TOOL STEEL | |
| HARDNESS: Rc 40-46 | |



| | |
|--------------|---------|
| Designed By: | METTERT |
| Drawn By: | |
| Approved By: | |

| | |
|-------|-----------|
| Date: | 7/20/2000 |
| Date: | |
| Date: | |

Title / Description:
SS1442-55kN mV/V
COMPRESSION LOAD CELL
SPECIFICATION

| | |
|------------|------|
| Dwg Size: | A |
| Dwg. Type: | SPEC |

Page 1 of 1

| | |
|-----------|-------------|
| Part No. | SS1442-55kN |
| File Name | 13758SP.FCD |
| Doc. No. | 13758 |