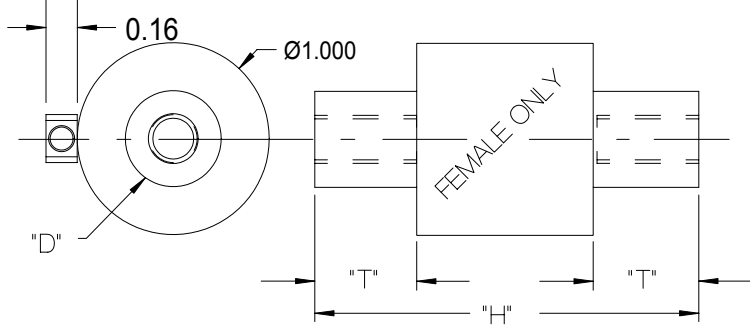
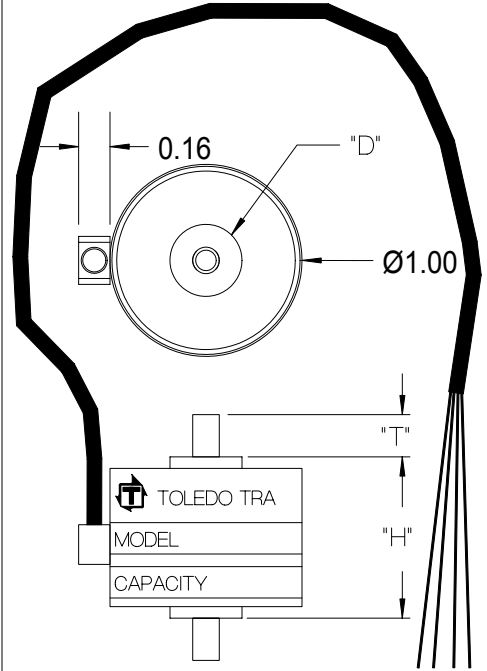


REV	DATE	DESCRIPTION	ECO	SIGN



Rated Capacity
Rate Output, typical (COMPRESSION + OUTPUT) See Tabulation
Non-Linearity 2 mV/V
Hysteresis 0.03 %*
Non-repeatability 0.05 %*
Creep, 30 minutes 0.02 %
Zero Balance 0.1 %
Temperature Range, Compensated ± 10 %
Temperature Effect, Output + 14 to + 104° F
Temperature Effect, Zero Balance 0.05 % of load / 100° F
Useable Temperature Range 0.15% / 100° F
Input, Output Impedance -40 to + 360° F
Insulation Resistance 350 Ohms
Maximum Load, Safe 5,000 Megohms at 50 VDC
Maximum Load, Ultimate With Overload Stops Engaged 150 %
Maximum Load, Ultimate (NO OVERLOAD STOPS) 300 %
Maximum Load, Ultimate With Overload Stops Engaged 300 %***
500 %**
All specifications subject to change without notice. Request released drawings for most current specifications.



RATED CACACITY	Male or Female Thread	"T" INCH	"H" INCH	"D" INCH	MAX SIDE LOAD
1 Kg, 2.5 Lbs** NO STUD ON F-F	#6-32 UNC X 0.16 DEEP.	0	0.840	0.375	200% R.C.
2 Kg, 5 Lbs** NO STUD ON F-F	#6-32 UNC X 0.16 DEEP.	0	0.840	0.375	200% R.C.
5 Kg, 10 Lbs** NO STUD ON F-F	#6-32 UNC X 0.16 DEEP.	0	0.840	0.375	200% R.C.
20 Kg, 45 Lbs** NO STUD ON F-F	#6-32 UNC X 0.16 DEEP.	0	0.840	0.375	200% R.C.
50 Kg, 110 Lbs** NO STUD ON F-F	#10-32 UNF X 0.19 DEEP.	0	1.000	0.50	200% R.C.
1 Kg, 2.5 Lbs**	#6-32 UNC	0.25	0.840	0.375	200% R.C.
2 Kg, 5 Lbs**	#6-32 UNC	0.25	0.840	0.375	200% R.C.
5 Kg, 10 Lbs**	#6-32 UNC	0.25	0.840	0.375	200% R.C.
20 Kg, 45 Lbs**	#6-32 UNC	0.25	0.840	0.375	200% R.C.
50 Kg, 110 Lbs**	#10-32 UNF	0.38	1.000	0.50	200% R.C.
100 Kg, 220 Lbs	#10-32 UNF	0.38	1.000	0.50	150% R.C.
SS1432-250Kg-M-M (ONLY)	1/4-28 UNF (MALE ONLY)	0.50 (Lg.)	2.00	0.50	125% R.C.
SS1432-500Kg-M-M (ONLY)***	1/4-28 UNF (MALE ONLY)	0.50 (Lg.)	2.00	0.50	100% R.C.
SS1432-250Kg-F-F (ONLY)	1/4-28 UNF (FEMALE ONLY)	0.50 (Dp.)	2.00	0.50	125% R.C.
SS1432-500Kg-F-F (ONLY)***	1/4-28 UNF (FEMALE ONLY)	0.50 (Dp.)	2.00	0.50	100% R.C.
SS1432-1,000Kg-M-M (ONLY)***	3/8-16 UNF (MALE ONLY)	0.75 (Lg.)	2.50	0.625	75% R.C.
SS1432-2,500Kg-M-M (ONLY)***	3/8-16 UNF (MALE ONLY)	0.75 (Lg.)	2.50	0.625	50% R.C.
SS1432-1,000Kg-F-F (ONLY)***	3/8-16 UNF (FEMALE ONLY)	0.75 (Dp.)	2.50	0.75	75% R.C.
SS1432-2,500Kg-F-F (ONLY)***	3/8-16 UNF (FEMALE ONLY)	0.75 (Dp.)	2.50	0.75	50% R.C.

TABULATION EXAMPLES:
SS1432-1Kg-M-M
[1Kg, 2.5Lb male, male]
SS1432-20Kg-M-F
[20Kg, 45Lbs, male, female]
SS1432-50Kg-F-F
[50Kg, 110Lbs female, female]
0.08 dia., 3.0 Ft. LONG CABLE
(TRIM CABLE TO LENGTH IF NEEDED)
SHIELD/DRAIN
YELLOW + EXC.
RED - SIG.
WHITE + SIG.
BLACK - EXC.

 TOLEDO TRANSDUCERS, INC.	Designed By: Mettert	Date: 4/22/03	Title / Description: SS1432 LOAD CELL SPECIFICATIONS		Part No. SS1432-[TABULATION]
	Drawn By:	Date:	Dwg. Size: A		File Name 13669SP.FCD
	Approved By:	Date:	Dwg. Type: FAB	Page 1 of 1	Doc. No. 13669