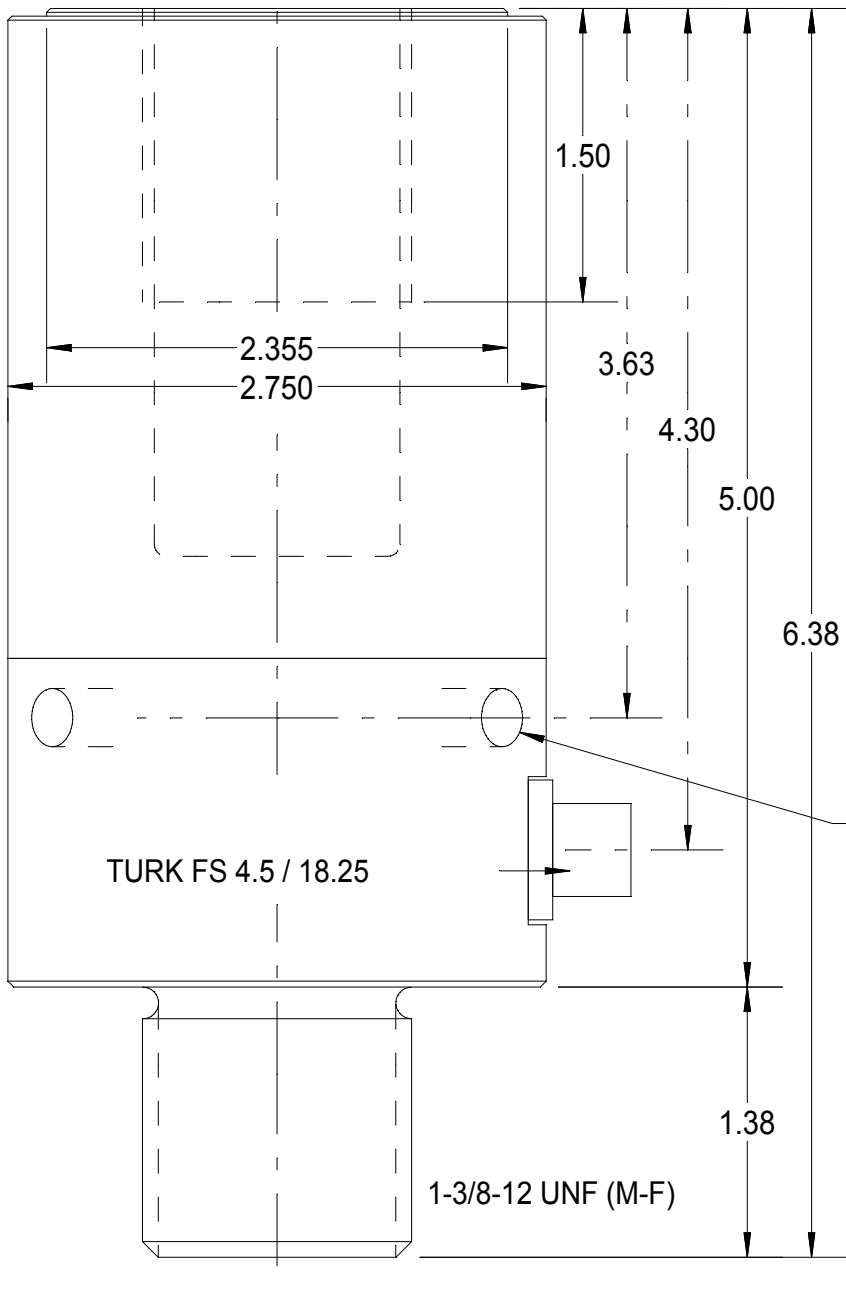


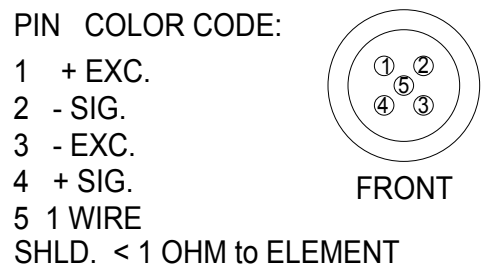
REV	DATE	DESCRIPTION	ECO	SIGN



**SPECIFICATIONS:**

RATED CAPACITY	300,000 N
RATED OUTPUT, matched	2.00 ± 0.01 mV/V
COMBINED ERROR	± 0.25 %
NON-REPEATABILITY	< 0.05 %
ZERO BALANCE	± 1 %
TEMPERATURE RANGE, COMPENSATED	+60 TO 160° F
TEMPERATURE EFFECT, OUTPUT	0.0005 % of Load / ° F
TEMPERATURE EFFECT, ZERO BALANCE	Not rated
INPUT IMPEDANCE	350 typical
OUTPUT IMPEDANCE	350 OHMS, typical
EXCITATION VOLTAGE (typical)	10 VDC or VAC rms
EXCITATION VOLTAGE, MAXIMUM	15 VDC or VAC rms
INSULATION RESISTANCE	5,000 MEG OHMS @ 50 VDC
MAXIMUM LOAD, SAFE	150 % F.S.
MAXIMUM LOAD, ULTIMATE	300 % F.S.
DEFLECTION AT RATED CAPACITY, APPROXIMATE	0.002 in.
CONSTRUCTION	STAINLESS STEEL COVER, TOOL STEEL ELEMENT

19/64 DRILL X 9/32 DP. USE FRACTIONAL FIXED HEAD-PIN STYLE SPANNER WRENCH.  
McMASTER-CARR NO. 5475A18



TOLERANCES UNLESS OTHERWISE SPECIFIED:  
.XXX = ± 0.005  
.XX = ± 0.015  
.X = ± 0.025  
FINISH: 32 MICRO INCH OR LESS



Designed By: **Mettert**  
Date: **1/2/02**  
Drawn By:  
Date:  
Approved By:  
Date:

Title / Description:  
**SS1400-300kN INSERTION  
LOAD CELL**  
Dwg. Size: **A** Dwg. Type: **SPEC**  
Page 1 of 1

Part No. **SS1400**  
File Name **12484SP.FCD**  
Doc. No. **12484**