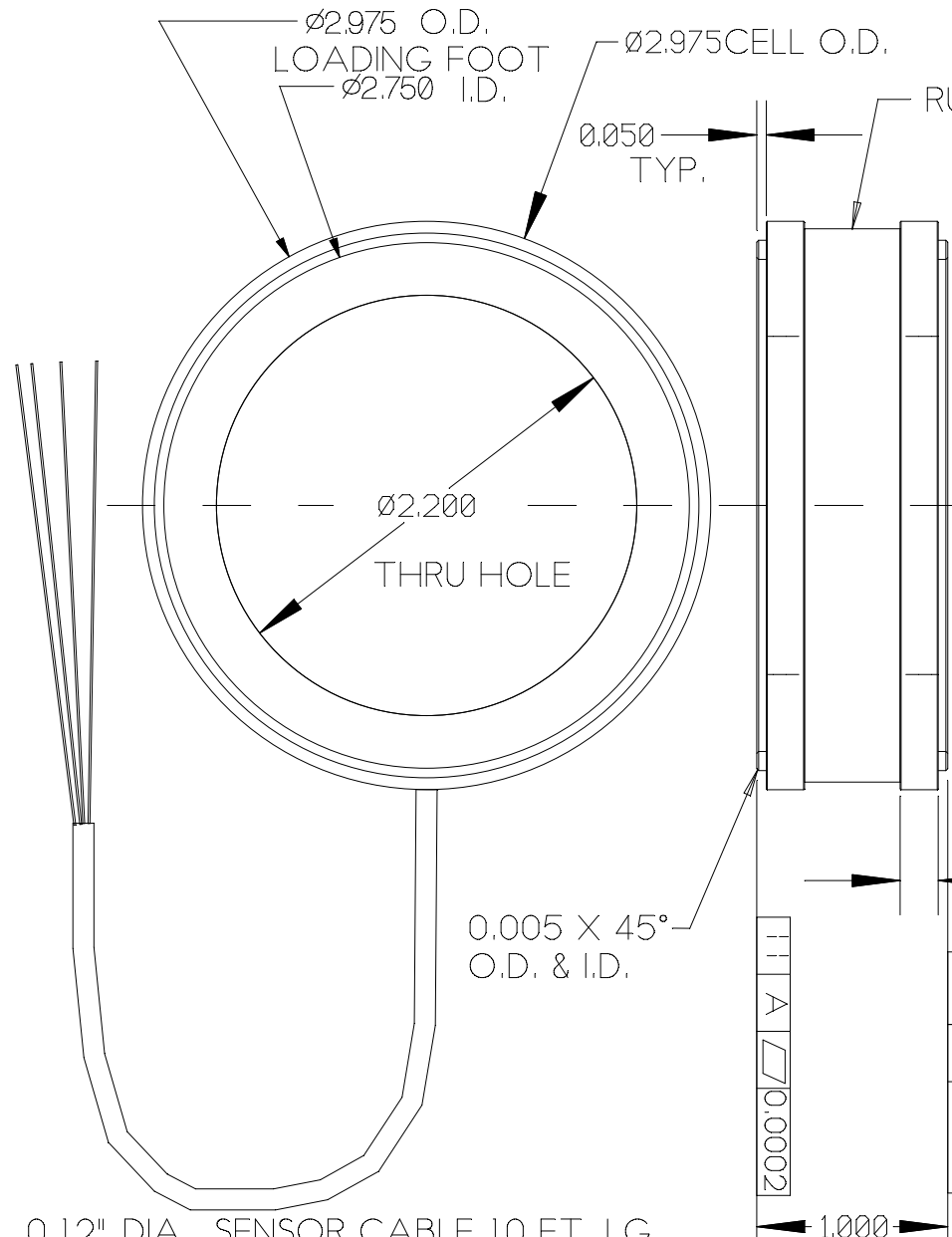


| REV | DATE | DESCRIPTION | ECO | SIGN |
|-----|------|-------------|-----|------|
| 1   |      |             |     | RAB  |



**SPECIFICATIONS:**

|   |                           |
|---|---------------------------|
| Rated Capacity                            | 6,000 pounds              |
| Rated Output, typical                     | 2 mV/V                    |
| Combined error                            | 0.25 % F.S.               |
| Non-repeatability                         | 0.05 % F.S.               |
| Zero Balance                              | 1 % R.O.                  |
| Temperature Range, Compensated            | 50 F to 120 F             |
| Temperature Effect, Output                | 0.0008 % of load / ° F    |
| Temperature Effects, Zero Balance         | 0.02 % / R.O. / ° F       |
| Bridge Impedance, Typical                 | 700 ohms                  |
| Excitation Voltage, Typical               | 10 VDC or VAC rms         |
| Excitation Voltage, Maximum               | 15 VDC or VAC rms         |
| Insulation Resistance                     | > 5,000 megohms at 50 VDC |
| Overload, Safe                            | 150 % over capacity       |
| Overload, Ultimate                        | 200 % over capacity       |
| Deflection at Rated Capacity, Approximate | 0.0023 inch               |
| Construction                              | Tool steel                |

**Cable color code:**

|        |                 |
|--------|-----------------|
| Green  | + Excitation    |
| Black  | - Excitation    |
| White  | + Signal        |
| Red    | - Signal        |
| Shield | < 1 OHM at cell |

0.12" DIA., SENSOR CABLE 10 FT. LG.

TOLERANCES UNLESS OTHERWISE SPECIFIED:  
 0.XXX = ± 0.005  
 0.XX = ± 0.015  
 0.X = ± 0.025  
 FINISH: 32 MICRO INCH OR LESS  
 MAT'L: A2  
 HARDNESS: Rc 40-46



Designed By: Mettert  
 Drawn By:  
 Approved By:

Date: 11/2/01  
 Date:  
 Date:

Title / Description:  
 SS1367 6,000 POUND  
 DOUGHNUT LOAD CELL  
 SPECIFICATIONS  
 Dwg. Size: A  
 Dwg. Type: SPEC

Part No. SS1367-6KLB  
 File Name 13635sp.FCD  
 Doc. No. 13635  
 Page 1 of 1