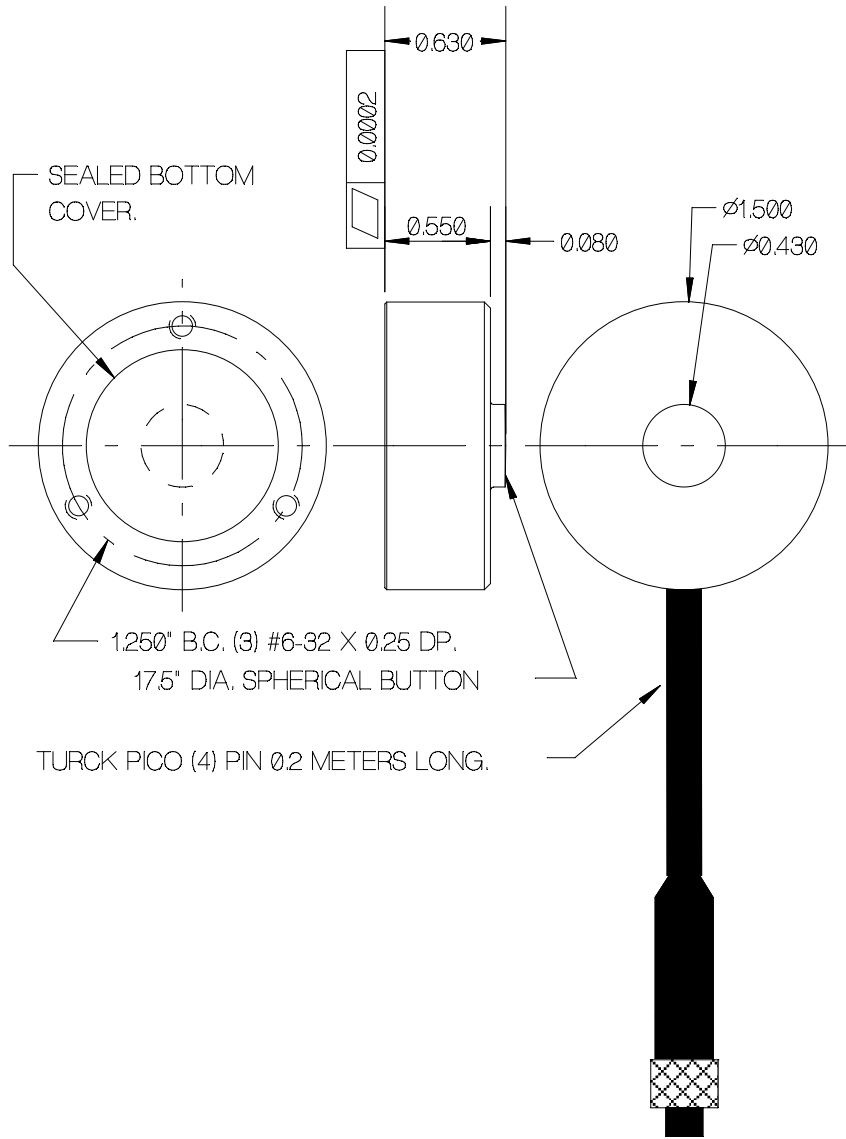


REV	DATE	DESCRIPTION	ECO	SIGN
1	6/21/00	RELEASE TO PILOT	928	RAB



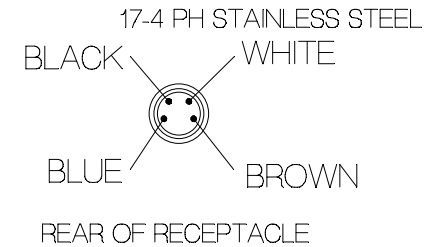
SEALED BOTTOM COVER.

1.250" B.C. (3) #6-32 X 0.25 DP.  
17.5" DIA. SPHERICAL BUTTON

TURCK PICO (4) PIN 0.2 METERS LONG.

SPECIFICATIONS:

RATED CAPACITY	1,500 POUNDS
RATED OUTPUT	2 mV/V typical
COMBINED ERROR	± 0.15 %
NON-REPEATABILITY	< 0.05 %
ZERO BALANCE	± 10 %
TEMPERATURE RANGE, COMPENSATED	+60 TO 160° F
TEMPERATURE EFFECT, OUTPUT	0.0008 % of Load / ° F
TEMPERATURE EFFECT, ZERO BALANCE	Not rated
INPUT IMPEDANCE	350 OHMS, typical
OUTPUT IMPEDANCE	350 OHMS, typical
EXCITATION VOLTAGE (typical)	10 VDC or VAC rms
EXCITATION VOLTAGE, MAXIMUM	15 VDC or VAC rms
INSULATION RESISTANCE	5,000 MEG OHMS @ 50 VDC
MAXIMUM LOAD, SAFE	200 % F.S.
MAXIMUM LOAD, ULTIMATE	300 % F.S.
DEFLECTION AT RATED CAPACITY, APPROXIMATE	0.007 in.
CONSTRUCTION	



WIRE COLOR CODE:	PIN NO.
+EXCITATION	BROWN 1
+SIGNAL	WHITE 2
-SIGNAL	BLUE 3
-EXCITATION	BLACK 4

TURCK PKGM-4/S90/S618, ORDER NO. (4247-222)

TOLERANCES UNLESS OTHERWISE SPECIFIED:

XXX = ± 0.005

XX = ± 0.015

X = ± 0.025

SCALE: FULL



TOLEDO  
TRANSDUCERS,  
INC.

Designed By: Mettert

Date: 6/12/00

Drawn By:

Date:

Approved By:

Date:

Title / Description:

SS1330-1.5KLB LOAD BUTTON  
SPECIFICATIONS

Dwg. Size:

Dwg. Type:

Page 1 of 1

Part No.

SS1330-1.5K-IEC-TAIL

File Name

18059

Doc. No.

18059