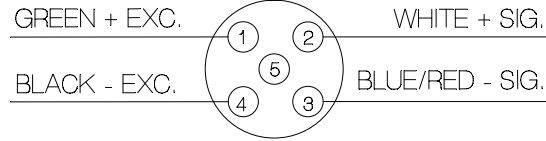


(REAR RECEPTACLE SIDE)

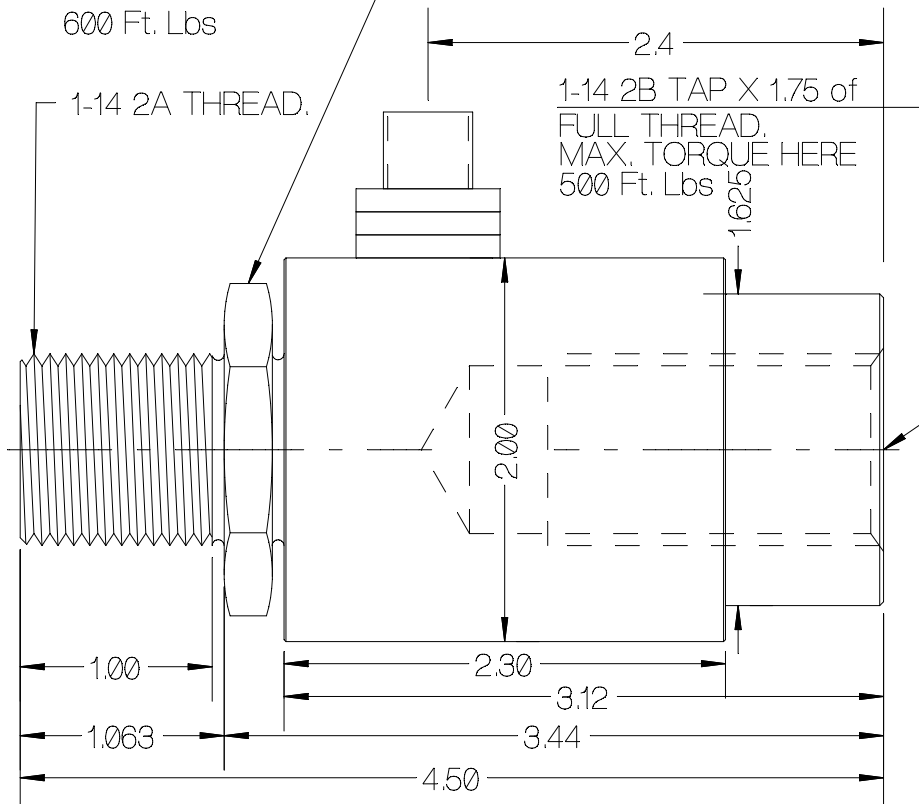


REV	DATE	DESCRIPTION	ECO	SIGN
1	5/25/00	RELEASE TO PILOT	920	RAB



TURCK RK 4.5T-4/S618, ORDER NO. (4245-222)

1.50 HEX.  
ACROSS THE FLATS  
MAX. TORQUE HERE  
600 Ft. Lbs



SPECIFICATIONS:

Rated Capacity	15,000 pounds
Rated Output, typical	2 mV/V
Combined error	0.25 % F.S.
Non-repeatability	0.05 % F.S.
Zero Balance	1 % R.O.
Temperature Range, Compensated	50 F to 120 F
Temperature Effect, Output	0.005 % of load / F
Temperature Effects, Zero Balance	0.005 % / R.O. / F
Bridge Impedance, Typical	350 ohms
Excitation Voltage, Typical	10 VDC or VAC rms
Excitation Voltage, Maximum	15 VDC or VAC rms
Insulation Resistance	> 5,000 megohms at 50 VDC
Overload, Safe	150 % over capacity
Overload, Ultimate	200 % over capacity
Construction	Alloy Steel
Cover	Stainless Steel

WIRE COLOR CODE:		T.T.I. STD.	PIN NO.
+EXCITATION	BROWN	GREEN	1
+SIGNAL	WHITE	WHITE	2
- SIG	BLUE	RED	3
- EXCITATION	BLACK	BLACK	4
OPEN			5

TOLERANCES UNLESS OTHERWISE SPECIFIED:

XXX = ± 0.005  
XX = ± 0.015  
X = ± 0.025

SCALE: FULL

FINISH: 32 MICRO INCH OR LESS

MAT'L: ALLOY STEEL

HARDNESS: Rc 40-46



TOLEDO  
TRANSDUCERS,  
INC.

Designed By: Mettert

Date: 4/26/00

Title / Description:  
SS1326-15KLB  
SPECIFICATIONS

Part No. SS1326-15K

Drawn By:

Date:

File Name

Approved By:

Date:

Dwg Size: A  
Dwg. Type: SPEC

Doc. No.