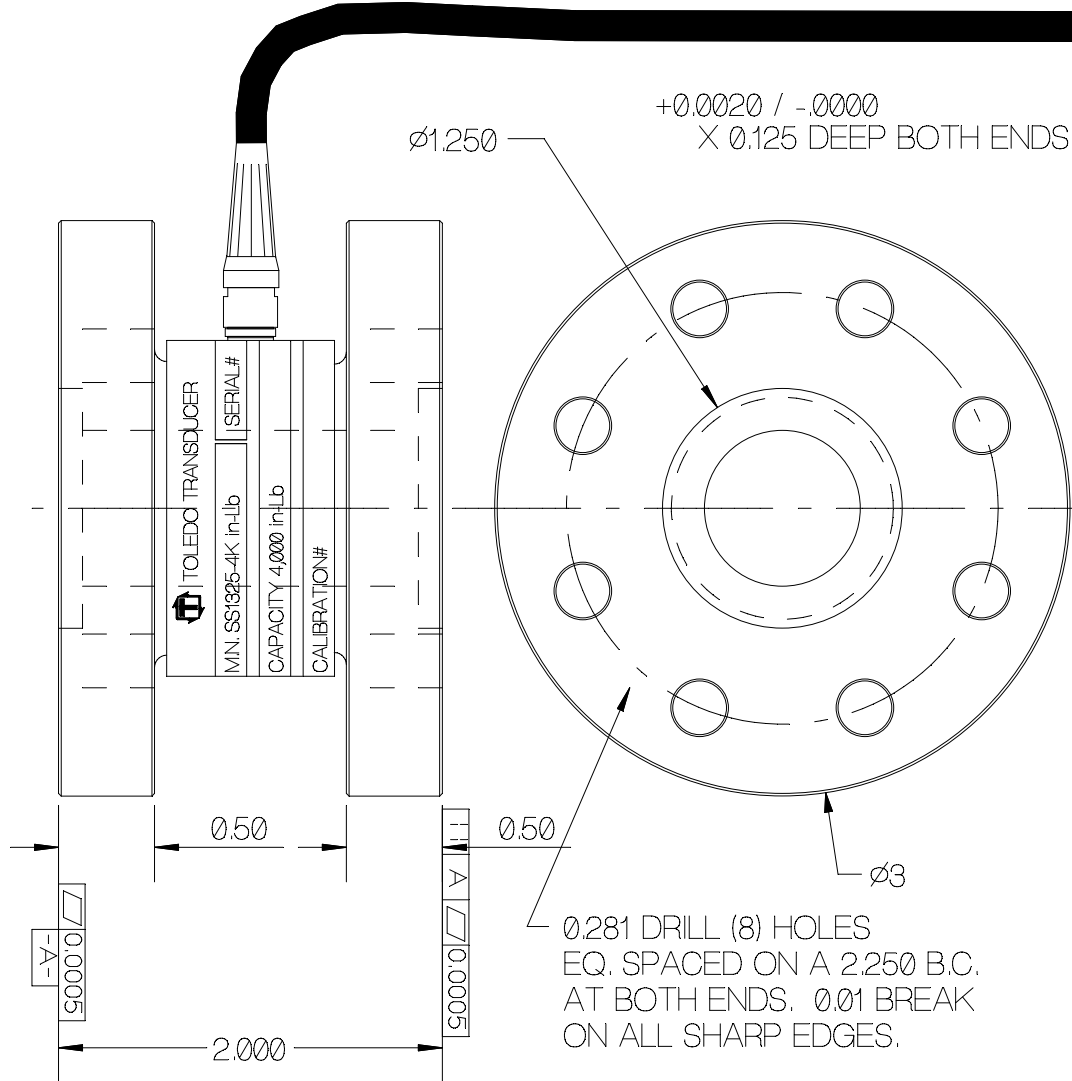


REV	DATE	DESCRIPTION	ECO	SIGN
1	1/6/15	PILOT		BKM

10 FOOT LONG CABLE



SPECIFICATIONS:

Rated Capacity	4,000 inch-pounds
Rated Output, typical	2 mV/V
Combined error	0.1 % F.S.
Non-repeatability	0.05 % F.S.
Zero Balance	1 % R.O.
Temperature Range, Compensated	50 F to 120 F
Temperature Effect, Output	0.005 % of load / F
Temperature Effects, Zero Balance	0.005 % / R.O. / F
Bridge Impedance, Typical	350 ohms
Excitation Voltage, Typical	10 VDC or VAC rms
Excitation Voltage, Maximum	15 VDC or VAC rms
Insulation Resistance	> 5,000 megohms at 50 VDC
Overload, Safe	150 % over capacity
Overload, Ultimate	200 % over capacity
Construction	Alloy Steel

Cable color code:

Red	+ Excitation
Black	- Excitation
Green	+ Signal
White	- Signal
Shield	Floats at cell

TOLERANCES UNLESS OTHERWISE SPECIFIED:

XXX = ± 0.005

XX = ± 0.015

X = ± 0.025

SCALE: FULL

FINISH: 32 MICRO INCH OR LESS



TOLEDO
 TRANSDUCERS,
 INC.

Designed By: Mettert

Date: 1/6/15

Drawn By:

Date:

Approved By:

Date:

Title / Description:

SS1325 4,000 IN-LB
 RADIAL FORCE
 SPECIFICATIONS

Dwg Size: A

Dwg. Type: SPEC

Page 1 of 1

Part No. SS1325-4,000 IN-LB

File Name 17613

Doc. No. 17613