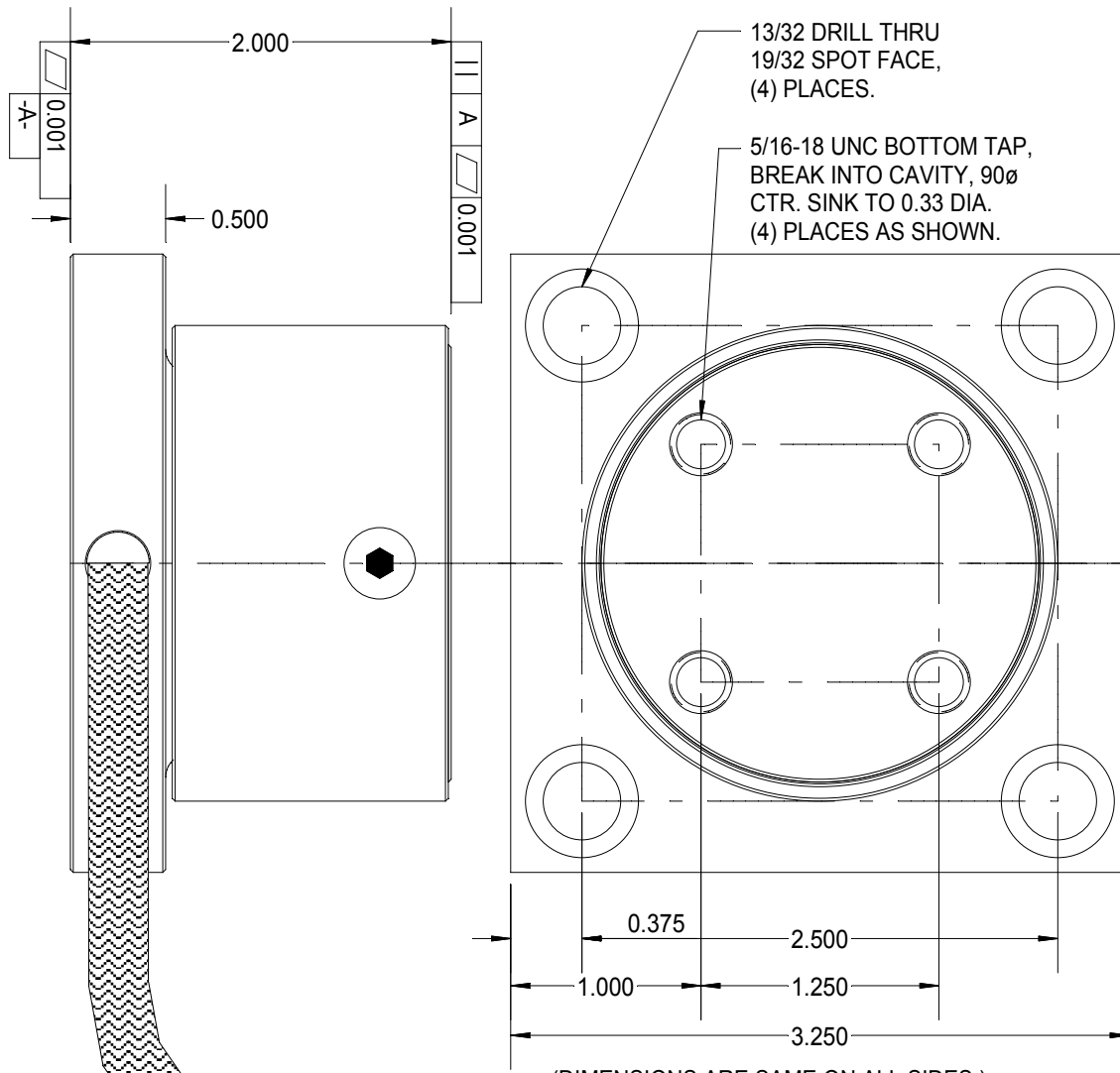


REV	DATE	DESCRIPTION	ECO	SIGN
1	2/17/00	RELEASE TO PILOT	889	RAB




SPECIFICATIONS:

Rated Capacity	1,000 pounds
Rated Output, typical	1 mV/V
Combined error	0.25 % F.S.
Non-repeatability	0.05 % F.S.
Zero Balance	1 % R.O.
Temperature Range, Compensated	50 F to 120 F
Temperature Effect, Output	0.0008 % of load / ° F
Temperature Effects, Zero Balance	0.01 % / R.O. / ° F
Bridge Impedance, Typical	700 ohms
Excitation Voltage, Typical	10 VDC or VAC rms
Excitation Voltage, Maximum	15 VDC or VAC rms
Insulation Resistance	> 5,000 megohms at 50 VDC
Overload, Safe	200 % over capacity
Overload, Ultimate	300 % over capacity
Deflection at Rated Capacity, Approximate	0.0015 inch
Construction	Alloy Aluminum
Cable color code:	
Green	+ Excitation
Black	- Excitation
White	+ Signal
Red	- Signal
Shield	< 1 OHM at cell

3 FEET ARMORED HOSE, 20 FEET OF SENSOR CABLE.

SPADE LUG (4370-837)

TOLERANCES UNLESS OTHERWISE SPECIFIED: .XXX = ± 0.005 .XX = ± 0.015 .X = ± 0.025		 TOLEDO TRANSDUCERS, INC.	Designed By: Mettert	Date: 1/18/2000	Title / Description: SS1307 1,000 POUND UNIVERSAL LOAD CELL		Part No. SS1307-1K
SCALE: FULL			Drawn By:	Date:			File Name 11511SP.FCD
			Approved By:	Date:	Dwg. Size: A	Dwg. Type: SPEC	Doc. No. 11511