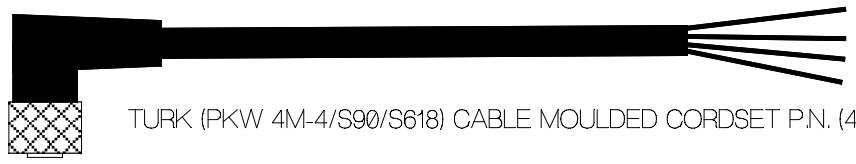
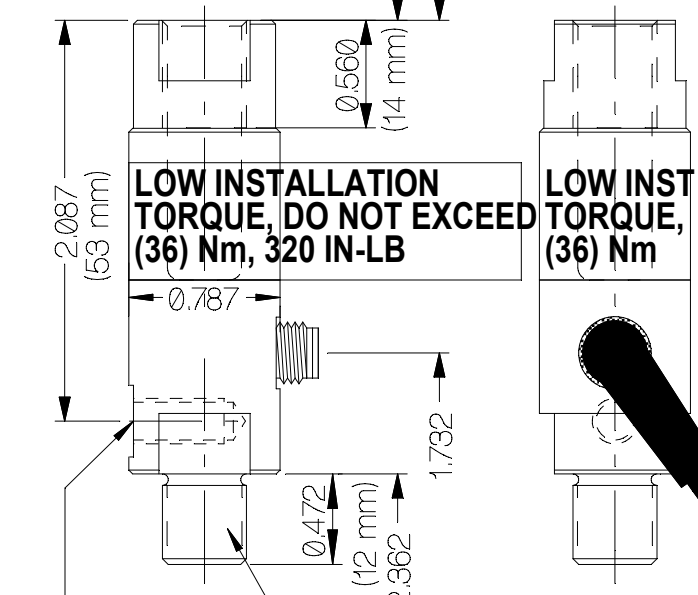
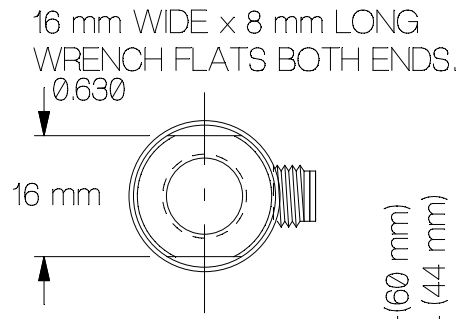


| REV | DATE | DESCRIPTION | ECO | SIGN |
|-----|---------|---------------------------------|-----|------|
| 1 | 8/26/16 | RELEASE TO DESIGN CONSIDERATION | | BKM |



TURK (PKW 4M-4/S90/S618) CABLE MOULDED CORDSET P.N. (4247-222)



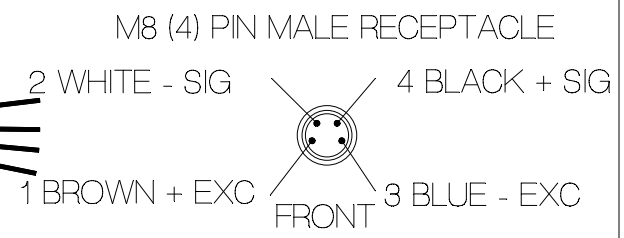
LOW INSTALLATION TORQUE, DO NOT EXCEED (36) Nm, 320 IN-LB

LOW INST TORQUE, (36) Nm

M12 X 1.5 (M.F.) BY 12 mm LONG / DEEP.
8 mm SPOTFACE, M6x1 BOTTOM TAP BY 12 mm DP. FOR ANTI-ROTATION.

SPECIFICATIONS:

| | | |
|---|-------------|-------------------------|
| RATED CAPACITY | 500 NEWTONS | 5k NEWTONS |
| RATED OUTPUT, matched | 0.13 mV/v | 1.300 ± 0.01 mV/V |
| COMBINED ERROR | | ± 0.25 % |
| NON-REPEATABILITY | | < 0.05 % |
| ZERO BALANCE | | ± 1 % |
| TEMPERATURE RANGE, COMPENSATED | | +60 TO 160° F |
| TEMPERATURE EFFECT, OUTPUT | | 0.0005 % of Load / ° F |
| TEMPERATURE EFFECT, ZERO BALANCE | | Not rated |
| INPUT IMPEDANCE | | 1,000 + 100 ohms |
| OUTPUT IMPEDANCE | | 1,000 ohms, typical |
| EXCITATION VOLTAGE (typical) | | 10 VDC or VAC rms |
| EXCITATION VOLTAGE, MAXIMUM | | 15 VDC or VAC rms |
| INSULATION RESISTANCE | | 5,000 MEG OHMS @ 50 VDC |
| MAXIMUM LOAD, SAFE | | 25,000 NEWTONS |
| MAXIMUM LOAD, ULTIMATE | | 30,000 NEWTONS |
| DEFLECTION AT RATED CAPACITY, APPROXIMATE | | 0.0001 in. |
| CONSTRUCTION | | STAINLESS STEEL ELEMENT |
| MAXIMUM RETRACTION FORCE | | 20 kN |
| LOW INSTALLATION TORQUE, DO NOT EXCEED | | (36Nm) 320 LB-IN |
| SINGLE POINT CALIBRATION | | |
| NEWTONS | 5,000 | |
| CABLE OUT ANGLE | | 125° ± 15° |



TOLERANCES UNLESS OTHERWISE SPECIFIED:
.XXX = ± 0.005
.XX = ± 0.015
.X = ± 0.025
FINISH: 32 MICRO INCH OR LESS



Designed By: **Mettert**
Date: **8/26/16**
Drawn By:
Date:
Approved By:
Date:

Title / Description:
**SS1726-5kN INSERTION
LOAD CELL SPECIFICATIONS**
Dwg. Size: **A** Dwg. Type: **SPEC**
Page 1 of 1

Part No. **SS1726-5kN**
File Name **17729**
Doc. No. **17729**