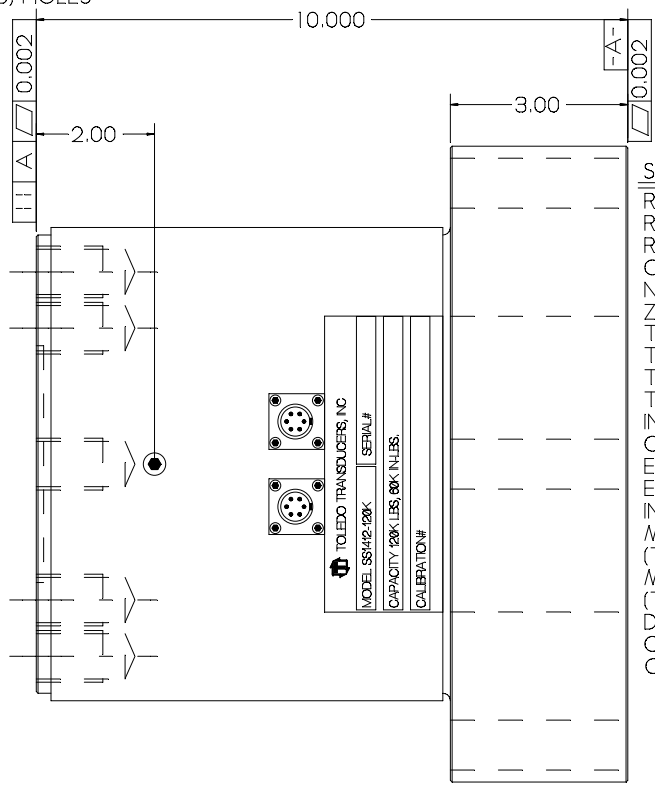
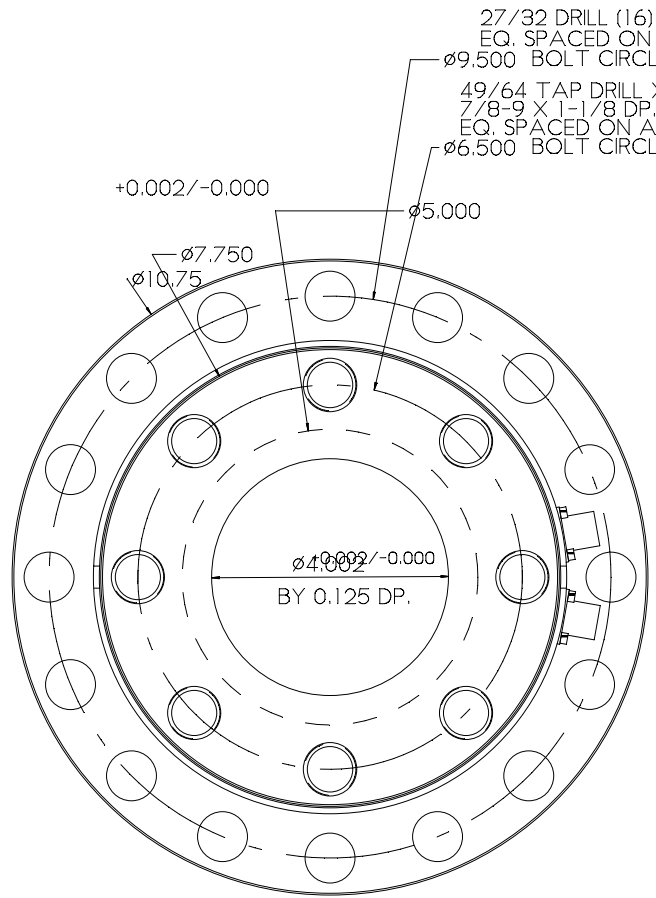


REV	DATE	DESCRIPTION	ECO	SIGN



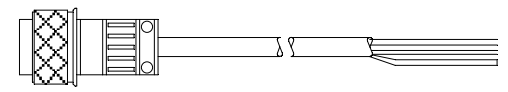
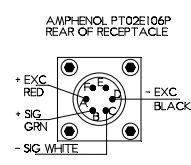
TOLEDO TRANSDUCERS, INC
 MODEL SS1412-120K SERIAL #
 CAPACITY 120K LBS, 60K IN-LBS.
 CALIBRATION #

SPECIFICATIONS:

RATED ALIAX FORCE CAPACITY	120K POUNDS
RATED TORQUE CAPACITY	60K IN-LBS
RATED OUTPUT	2 mV/V typical
CALIBRATION PASSES E4	± 0.15 %
NON-REPEATABILITY	< 0.05 %
ZERO BALANCE	± 1 %
TEMPERATURE RANGE, USEABLE	-60 TO 200° F
TEMPERATURE RANGE, COMPENSATED	+60 TO 160° F
TEMPERATURE EFFECT, OUTPUT	0.1 % of Load / 100° F
TEMPERATURE EFFECT, ZERO	0.2 of Rated Capacity / 100° F
INPUT IMPEDANCE	700 OHMS, typical
OUTPUT IMPEDANCE	700 OHMS, typical
EXCITATION VOLTAGE (typical)	10 VDC or VAC rms
EXCITATION VOLTAGE, MAXIMUM	15 VDC or VAC rms
INSULATION RESISTANCE	5,000 MEG OHMS @ 50 VDC
MAXIMUM STATIC LOAD, (TENSION & TORQUE), SAFE	150 % F.S.
MAXIMUM STATIC LOAD, (TENSION ONLY), ULTIMATE	300 % F.S.
DEFLECTION AT RATED CAPACITY, APPROXIMATE	0.003 in.
CROSS TALK, APPROXIMATE	≤ 2 % F.S.
CONSTRUCTION	TOOL STEEL

WIRE COLOR CODE:

DESIGNATION	COLOR	PIN
- SIG.	White	C
- EXC.	Black	D
+ SIG.	Green	B
+ EXC.	Red	A



STANDARD CABLE LENGTH 20 FEET.

 TOLEDO TRANSDUCERS, INC.	Designed By: Mettert	Date: 7/8/02	Title / Description: SS1412-120K-60K in-LB THRUST-TORQUE SPECIFICATIONS	Part No. SS1412-120K-60K in-LB
	Drawn By:	Date:	Dwg. Size: D	File Name:
	Approved By:	Date:	Dwg. Type: ASBY	Doc. No.