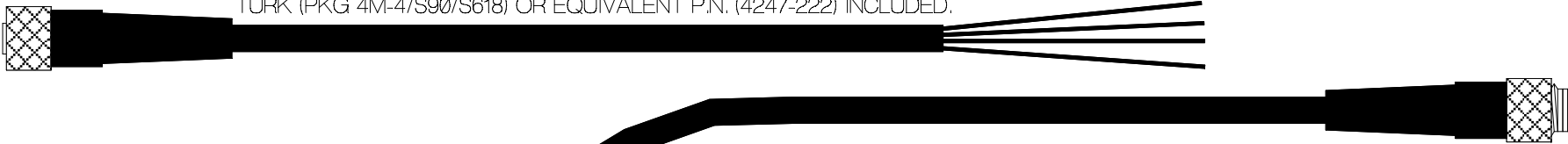


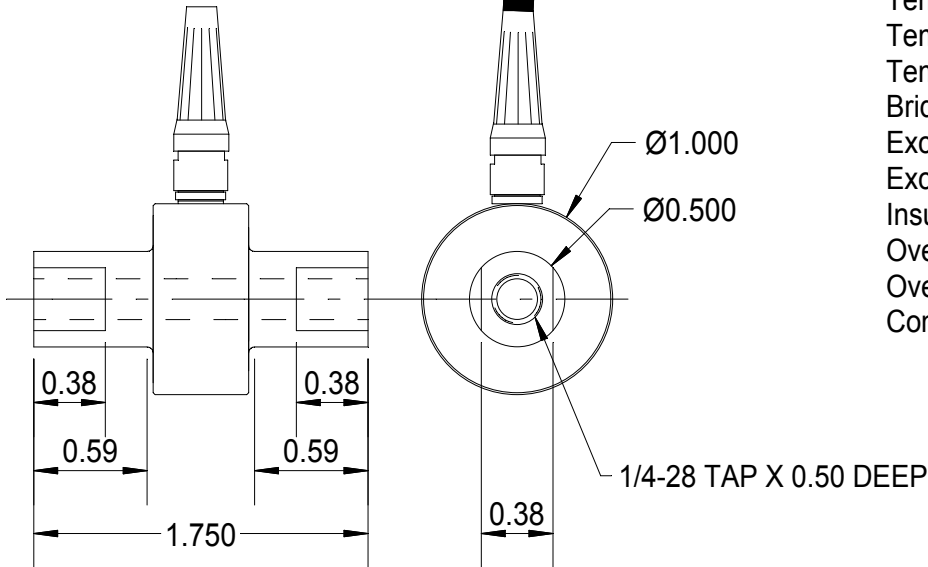
REV	DATE	DESCRIPTION	ECO	SIGN
1	1/26/00	RELEASE TO PILOT		
2	1/12/07	COMBINED ERROR WAS 0.25%		

TURK (PKG 4M-4/S90/S618) OR EQUIVALENT P.N. (4247-222) INCLUDED.

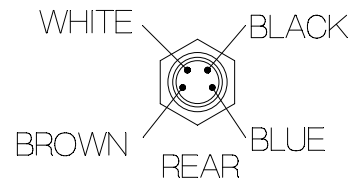


**SPECIFICATIONS:**

Rated Capacity	2kN
Rated Output, (Matched 0.5%) Trimming resistors each leg ± 5%	2 mV/V
Combined error, typical	0.5 % F.S.
Non-repeatability	0.05 % F.S.
Zero Balance	1 % R.O.
Temperature Range, Compensated	50 F to 120 F
Temperature Effect, Output	0.005 % of load / F
Temperature Effects, Zero Balance	0.005 % / R.O. / F
Bridge Impedance, Typical	350 ohms
Excitation Voltage, Typical	10 VDC or VAC rms
Excitation Voltage, Maximum	15 VDC or VAC rms
Insulation Resistance	> 5,000 megohms at 50 VDC
Overload, Safe	150 % over capacity
Overload, Ultimate	200 % over capacity
Construction	Aluminum



FEMALE RECEPTACLE OR FEMALE PLUG



WIRE COLOR CODE:		PIN NO.
+EXCITATION	BROWN	1
- EXC	WHITE	2
+ SIG	BLUE	3
- SIG	BLACK	4

TOLERANCES UNLESS OTHERWISE SPECIFIED:

.XXX = ± 0.005

.XX = ± 0.015

.X = ± 0.025

FINISH: 32 MICRO INCH OR LESS

MAT'L: 7068

SCALE: FULL



Designed By: **Mettert**

Date: **1/26/00**

Title / Description:  
**SS1321-2kN Lb. COMPRESSION  
TENSION UNIVERSAL  
LOAD CELL SPECIFICATIONS**

Part No. **SS1321-2kN**

Drawn By:

Date:

File Name **1321-2kN**

Approved By:

Date:

Dwg. Size: **A**  
Dwg. Type: **SPEC**

Page 1 of 1

Doc. No. **1321-2kN**