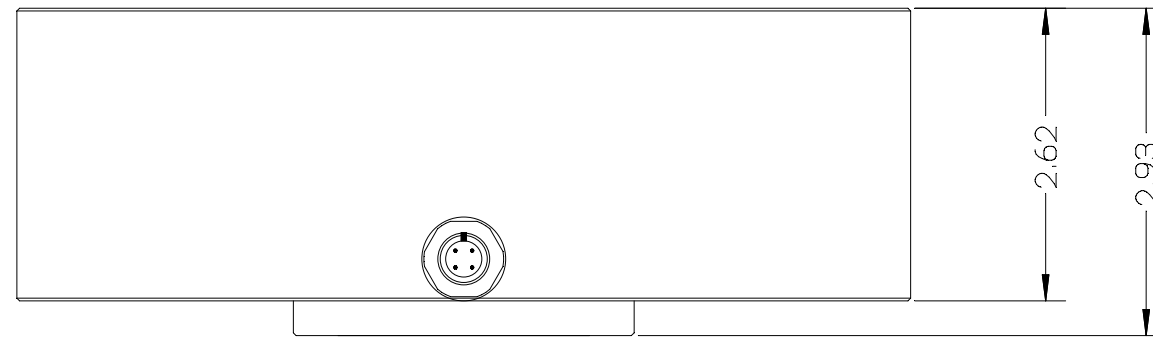


REV	DATE	DESCRIPTION	ECO	SIGN

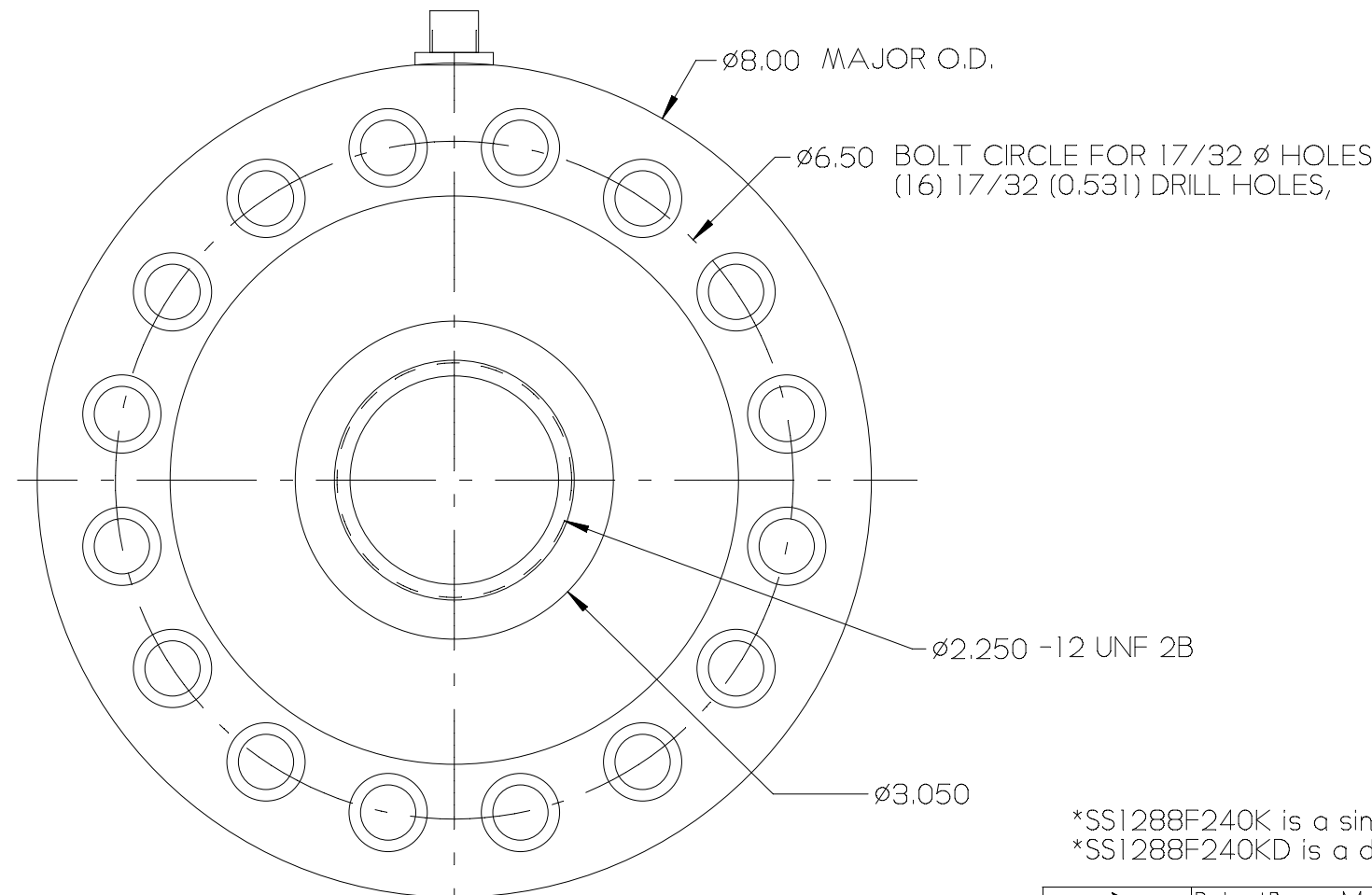


SPECIFICATIONS:

Rated Capacity, (COMPRESSION)	240,000 pounds
Rated Output, typical	2 mV/V
Combined error	0.05 % F.S.
Non-repeatability	0.01 % F.S.
Zero Balance	1 % R.O.
Temperature Range, Compensated	50 F to 120 F
Temperature Effect, Output	0.0008 % of load / F
Temperature Effects, Zero Balance	0.002 % / R.O. / F
Bridge Impedance, Typical	700 ohms
Excitation Voltage, Typical	10 VDC or VAC rms
Excitation Voltage, Maximum	15 VDC or VAC rms
Insulation Resistance	> 5,000 megohms at 50 VDC
Overload, Safe	150 % over capacity
Deflection at Rated Capacity, Approximate	0.003 inch
Construction	AISI Tool Steel

Pin Cable color code:

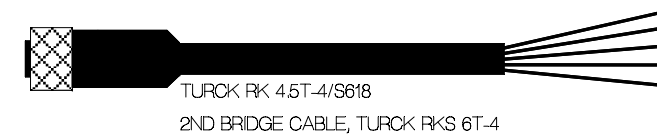
1	Brown	+ Excitation
2	White	+ Signal
3	Blue	- Signal
4	Black	- Excitation
5	Gray	2nd + Signal
6	Pink	2nd - Signal
	Shield	Floats at cell



MALE PLUG OR MALE RECEPTACLE
TURCK FS 4.5/1825
(REAR RECEPTACLE SIDE)



MALE PLUG OR MALE RECEPTACLE
TURCK FS 6/1825
(FOR 2nd BRIDGE, REAR RECEPTACLE SIDE)



*SS1288F240K is a single bridge load cell for use in tension or compression.
*SS1288F240KD is a dual bridge load cell for use in tension or compression.

<p>TOLEDO TRANSDUCERS, INC.</p>	Designed By: Mettert	Date: 9/21/99	Title / Description: SS1288 FEMALE 240,000 Lbs CALIBRATION LOAD CELL SPECIFICATIONS		Part No. SS1288F240K, SS1288F240KD*
	Drawn By:	Date:	Dwg. Size: A	Dwg. Type: SPEC	File Name
	Approved By:	Date:	Page 1 of 1		Doc. No.