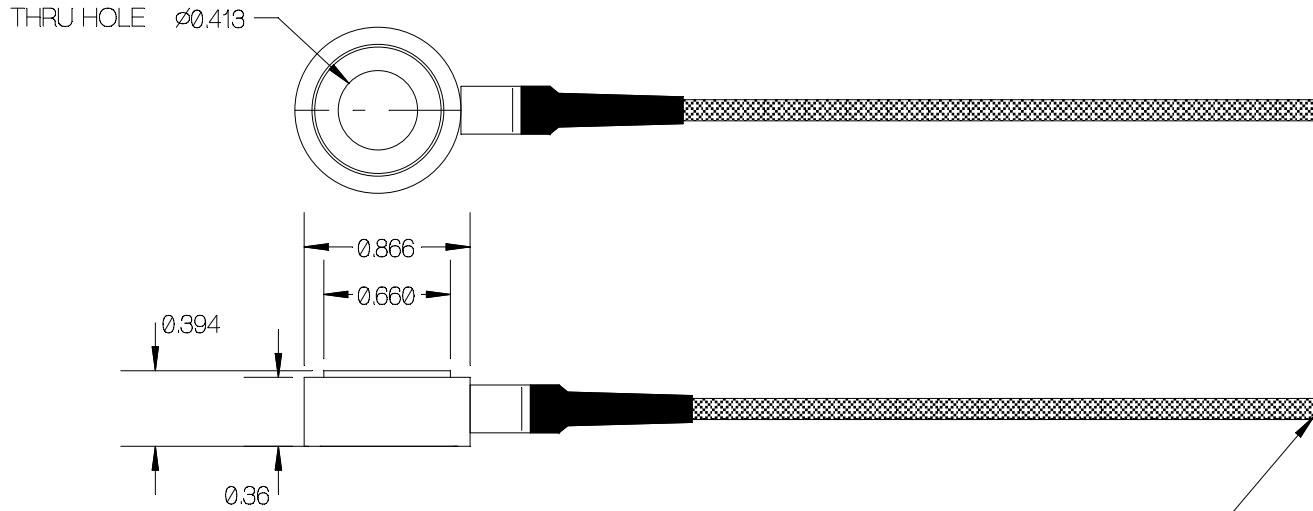


REV	DATE	DESCRIPTION	ECO	SIGN
1	2/2/12	RELEASE TO PILOT		BKM



10 FEET OF 0.11 DIA. (4) CONDUCTOR SHIELDED TEFLON SENSOR CABLE.

SPECIFICATIONS:

RATED CAPACITY	10,000 POUNDS
RATED OUTPUT	2 mV/V typical
COMBINED ERROR	T.B.D. CURVE PROVIDED
NON-REPEATABILITY	0.1 %
ZERO BALANCE	± 10 %
TEMPERATURE RANGE, COMPENSATED	+60 TO 160° F
TEMPERATURE EFFECT, OUTPUT	0.001 % of Load / ° F
TEMPERATURE EFFECT, ZERO BALANCE	Not rated
INPUT IMPEDANCE, OUTPUT IMPEDANCE	350 OHMS, typical
EXCITATION VOLTAGE (typical)	10 VDC or VAC rms
EXCITATION VOLTAGE, MAXIMUM	15 VDC or VAC rms
INSULATION RESISTANCE	5,000 MEG OHMS @ 50 VDC
MAXIMUM LOAD, SAFE	150 % F.S.
MAXIMUM LOAD, ULTIMATE	200 % F.S.
DEFLECTION AT RATED CAPACITY, APPROXIMATE	0.0006 in.
CONSTRUCTION	ALLOY STEEL

WIRE COLOR CODE:

+ EXCITATION	YELLOW or GREEN
- EXCITATION	BLACK
+ SIGNAL	WHITE
- SIGNAL	RED
SHIELD	DRAIN

TOLERANCES UNLESS OTHERWISE SPECIFIED:

.XXX = ± 0.005

.XX = ± 0.015

.X = ± 0.025

SCALE: FULL

FINISH: FINE BRUSHED FINISH, O.D. NO MARKS

MAT'L: ALLOY STEEL / S.S. COVER

HARDNESS:



TOLEDO
TRANSDUCERS,
INC.

Designed By: **Mettert**

Date:
9/4/96

Drawn By:

Date:

Approved By:

Date:

Title / Description:

SS1108-10KLB DOUGHNUT

LOAD CELL SPECIFICATIONS

Dwg. Size:

A

Dwg. Type:

SPEC

Page 1 of 1

Part No.

SS1108-10KLB

File Name

10018-10K

Doc. No.

10018-10K